

呼吸阀 (水封排气阀/呼吸阀)

BREATHING VALVE (ANTI GAS VACUUM VALVE/EXHAUST VALVE /WATER SEAL EXHAUST VALVE/BREATHING VALVE)

应用 / APPLICATION

原理与微过滤器相同可防止因液位下降而使外界颗粒物进入储罐, 保证罐内空气纯度。本公司采用国外先进技术, 按 GMP 标准制造。呼吸器采用优质进口优质不锈钢(304、316L)制造, 具有无污染、热稳定性好、化学耐久性好等特点。

The principle is same as micro filter, it can prevent the outside particulates coming into the storage tank due to the liquid level descends, ensures the air purity in the tank. Our company adopts foreign advanced technology and made at GMP standard. The Rebreather made of fine imported fine stainless steel (304, 316L), has the character of no pollution, good thermal stability and chemical durability. Requiring more detail information or catalog pls don't hesitate to contact us.

功能和特性介绍 / FUNCTIONS AND FEATURES INTRODUCTION

该阀门应用压力容器或管路系统上, 呼吸阀具备两种功能:

- 当压力高于设定压力 (标准 1 bar) 时可以排气, 反之关闭;
- 当管路系统中产生真空 (标准 -0.9 bar) 时阀门自动打开。这样就保证了设备和相关仪表的安全, 同时也可以满足于各种生产工艺需求。该阀门全锈钢材料, 卫生设计, 满足于各种食品加工、饮料、以及制药等各种工业领域。

This valve used in pressure vessel or pipe system, the air release valve has two functions :

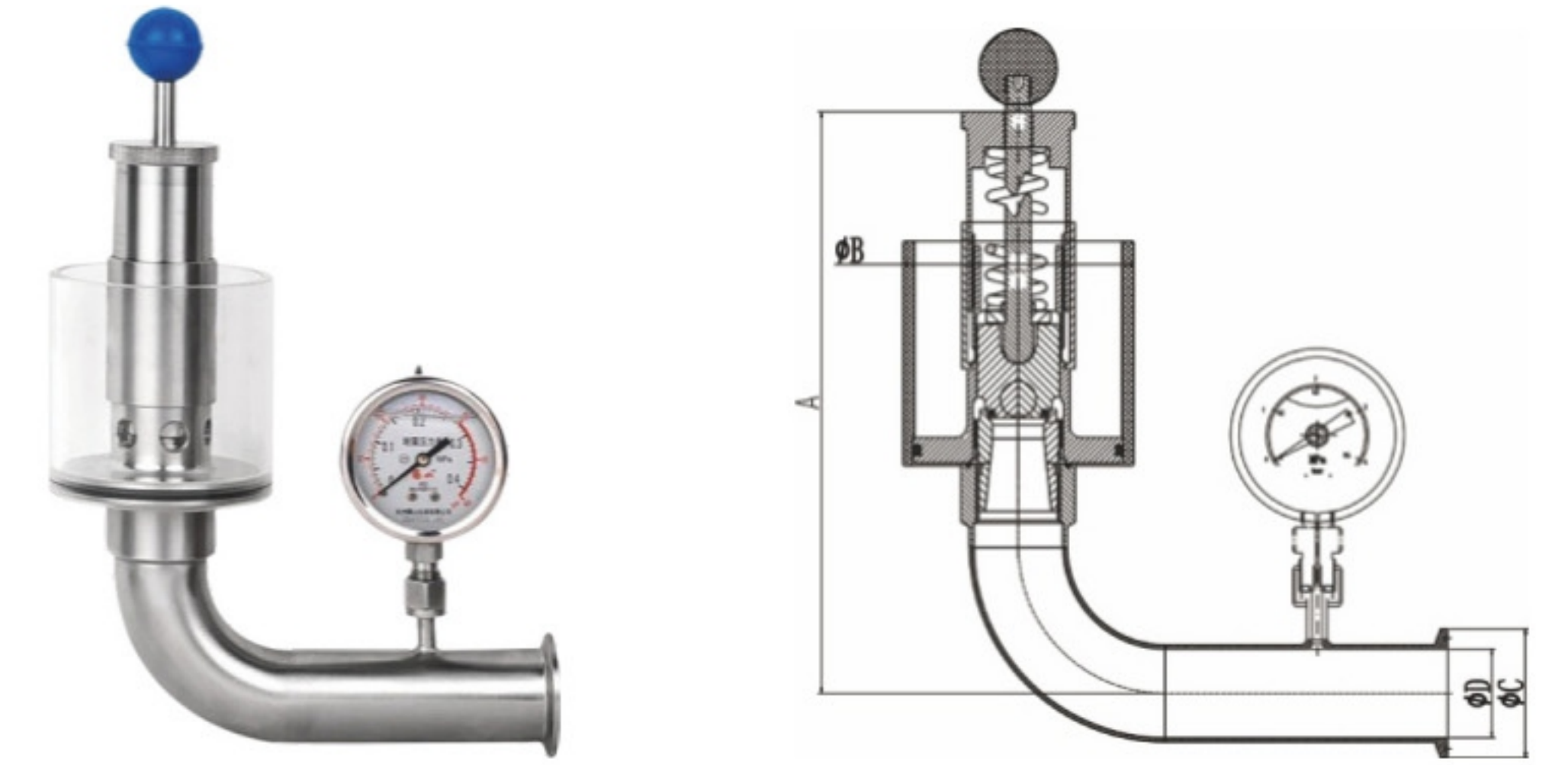
- When pressure is higher than the set pressure (standard 1 bar) release air, otherwise is closed;
- When the pipe system in vacuum (standard -0.9 bar) valve automatically open. This to ensure the equipment and related instrument security, at the same time it can meet various production process demand. This valve with the full stainless steel material, hygienic design, applied to all kinds of food processing, drink and pharmaceutical and other industrial fields.

技术参数 / SPECIFICATIONS

- 规格: 1"-2", DN25-DN50
- 接口: 卡箍、焊接、螺纹、DIN、SMS、IDF、ISO
- 材质: 304/316L
- 垫圈: EPDM FPM
- 压力: 0.5~2 bar
- 真空: 0.3~0.9 bar
- 温度: -10°C ~130°C

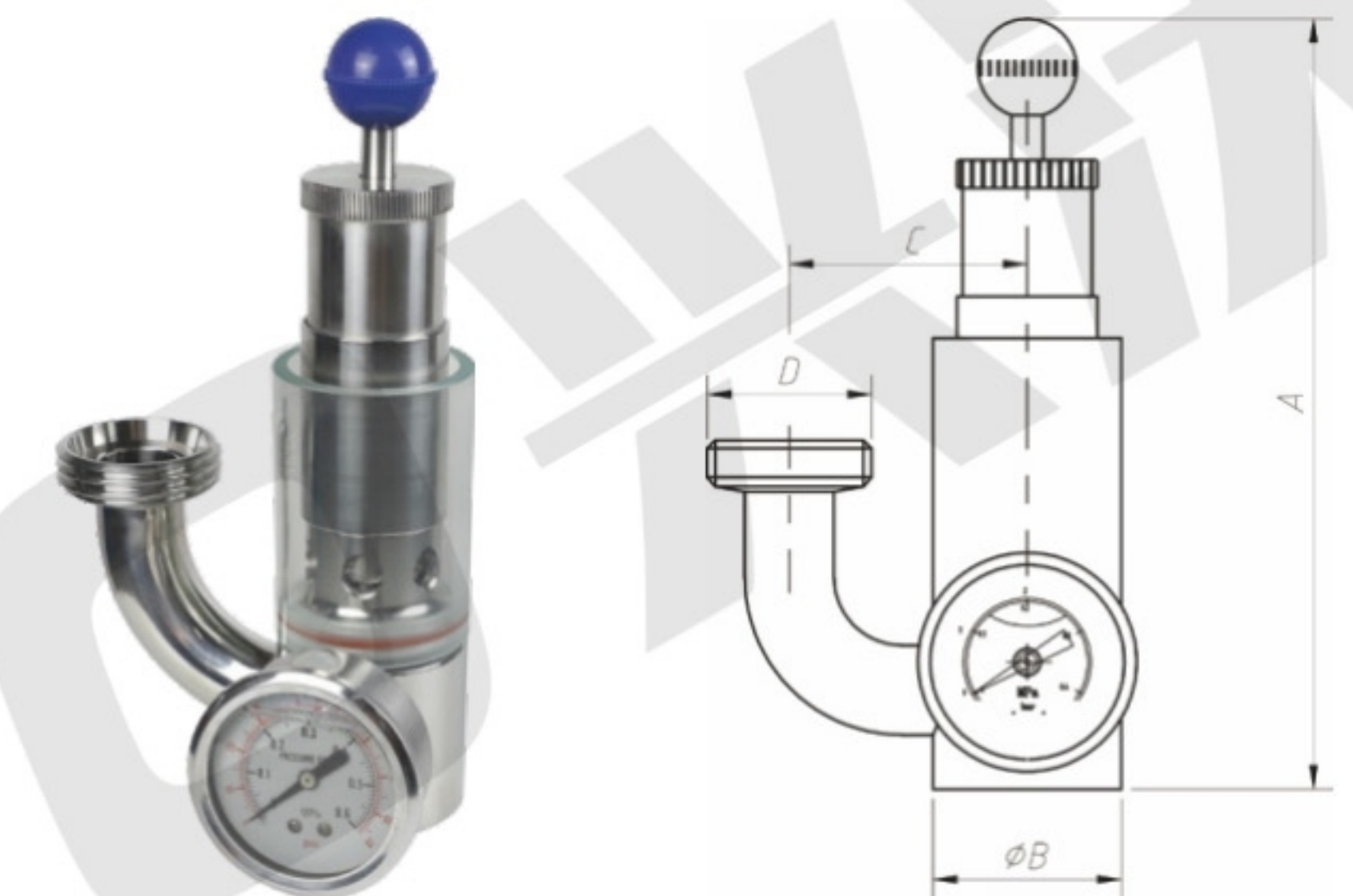


- Size : 1"-2", DN25-DN50
- Connection: clamped, welded, threaded, DIN, SMS, IDF, ISO
- Material: 304/316L
- Gasket: EPDM FPM
- Pressure: 0.5~2 bar
- Vacuum: 0.3~0.9 bar
- Temperature: -10°C ~130°C



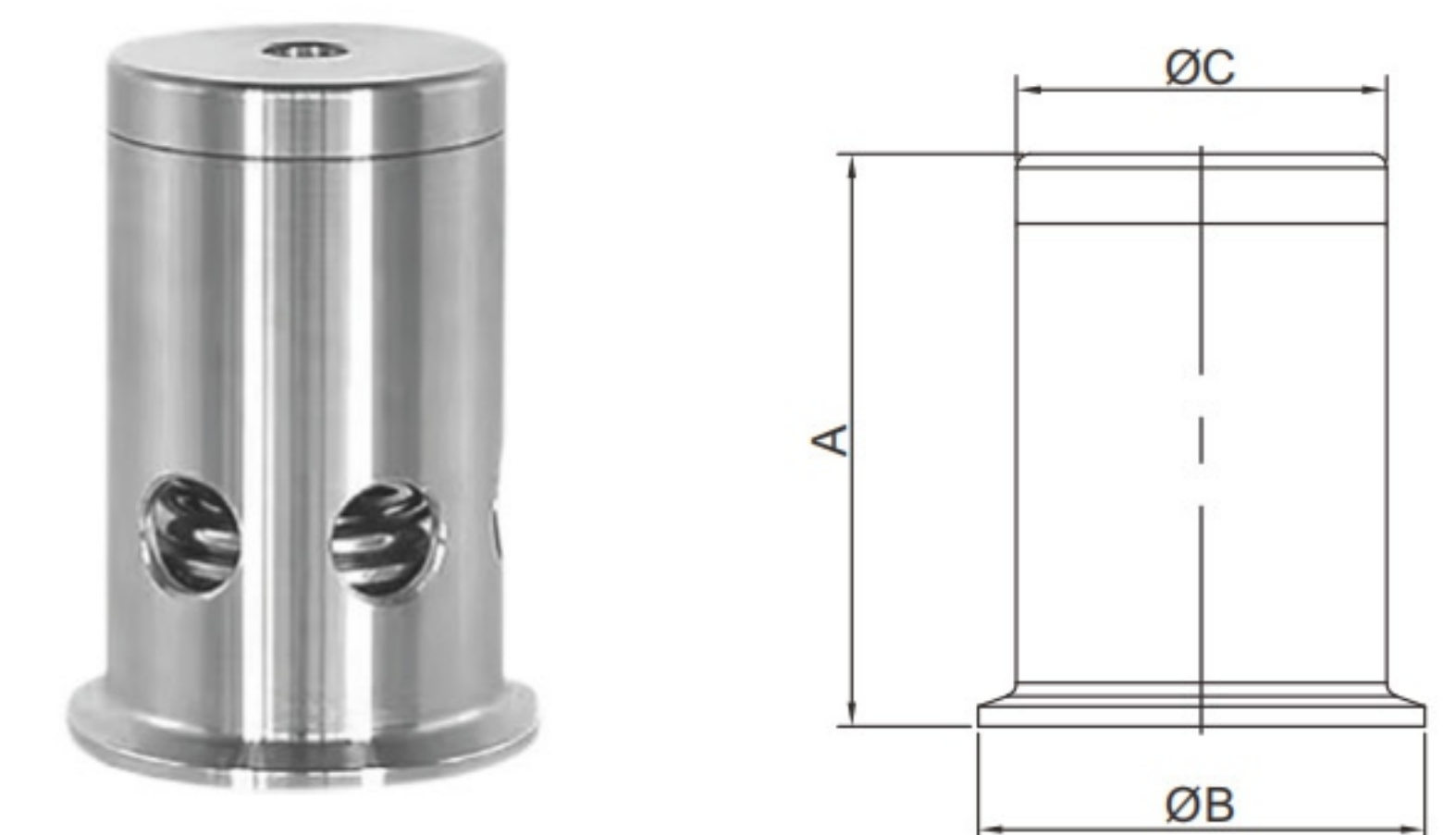
弯管水封排气阀
Elbow Exhaust Valve

Size	A	B	C	D
1.5"	225	90	50.5	34.8



水封排气阀
Exhaust Valve

Size	A	B	C	D
1.5"	242.5	59	75.5	Rd52×1/6"



呼吸阀
Rebreather Valve

Size	A	B	C
1.5"	71	50.5	44
2"	82	64	53

卫生级安全阀

SANITARY SAFETY VALVE

操作原理 / OPERATING PRINCIPLE

- 一般操作条件下, 该阀门保持关闭。
- 通过调节带有压力螺母的弹簧, 该阀门被校准到一个特定的压力。
- 当管路中的压力超过特定的压力时, 阀门打开, 让流体通过, 以此减少管道系统中的压力。
- 该阀门可以带手柄, 从而实现阀门部分开启。当手柄在现场清洗过程中保持开启状态时, 清洗产品可以流经阀门。
- Under normal operating conditions, the valve remains closed.
- The specific pressure is set by adjusting the spring with the pressure nut.
- When the pressure in the pipes is above the specific pressure, the valve becomes open automatically to make the liquid pass over in order to reduce the pressure in the pipes.
- The valve can be with handle in order to realize partial open. When the handle remains open on the operation spot, the detergent can flow though the flow valves.



技术规范 / TECHNICAL SPECIFICATIONS

- 最大温度: 121°C (EPDM) / 250°F
- 最大操作压力: 弹簧可调节 (0-3bar / 0-6bar / 0-10bar)
(0-43,5PSI/0-87PSI/0-145PSI)
- Max. temperature 121°C (EPDM) / 250°F
- Max. operating pressure Spring adjustable
(0-3bar/0-6bar/0-10bar)
(0-43,5PSI/0-87PSI/0-145PSI)

选项 / OPTIONS

- 连接: 卡箍, 法兰, 螺纹, 焊接 DIN SMS RJT IDF 3A
- 垫圈材质: EPDM NBR
- 压力操作范围 (改变弹簧)
- 装配上手柄可以部分开启阀门, 现场清洗时 (与泵通道一起使用) 可以让流体通过。
- Connections DIN-IDF-RJT-3A-SMS, Clamp, flanges, Welding, Threded.
- Material of gasket: EPDM NBR FPM
- Pressure Ranges (changing the spring).
- The assembly with handle can open the valve partially. When CIP (with use of pump passes), the liquid can be flowed though.

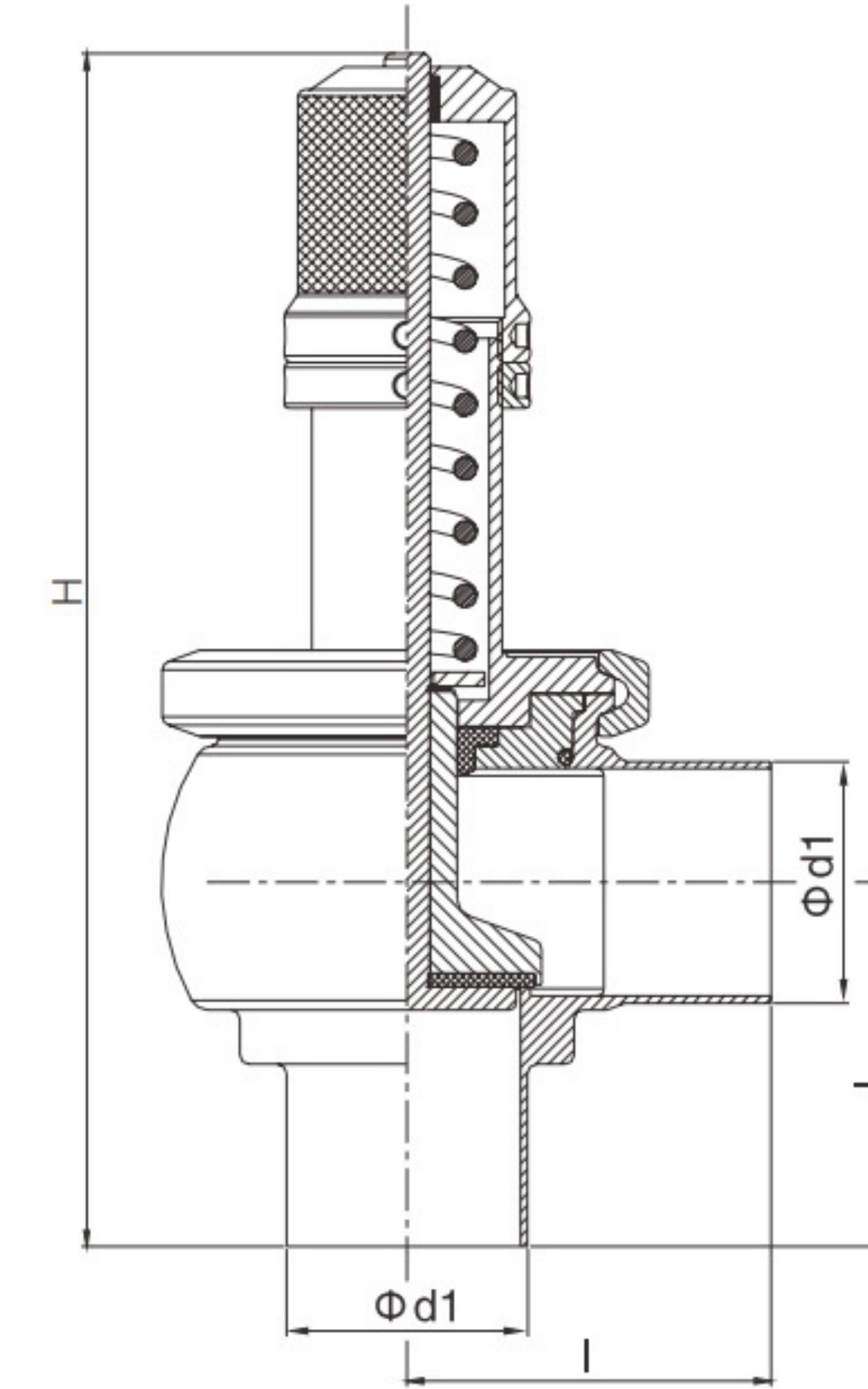
材料 / MATERIALS

- 产品过流钢制部件: 304/316L
- 其他钢制部件: 304
- 弹簧钢质部件: 60 Si2Mn
- 过流部件表面粗糙度: $Ra \leq 0.8\mu m$
- 外表面粗糙度: $Ra \leq 0.8\mu m$
- 接触输送物料的密封件: EPDM (标件)
- 其他密封件: PTFE, EPDM
- Product wetted steel parts: 304 / 316L
- Other steel parts: 304
- Spring steel parts: 60 Si2Mn
- Flow components of surface roughness: $Ra \leq 0.8\mu m$
- Outer surface roughness: $Ra \leq 0.8\mu m$
- Wetted seals: EPDM (standard items)
- Other Seals: PTFE, EPDM

焊接安全阀(DIN)

Welded Safety Valve(din)

Size	d1	手动 H Manual H	l
25	28	219	59
40	40	250	59
50	52	252	88



焊接安全阀(INCHES)

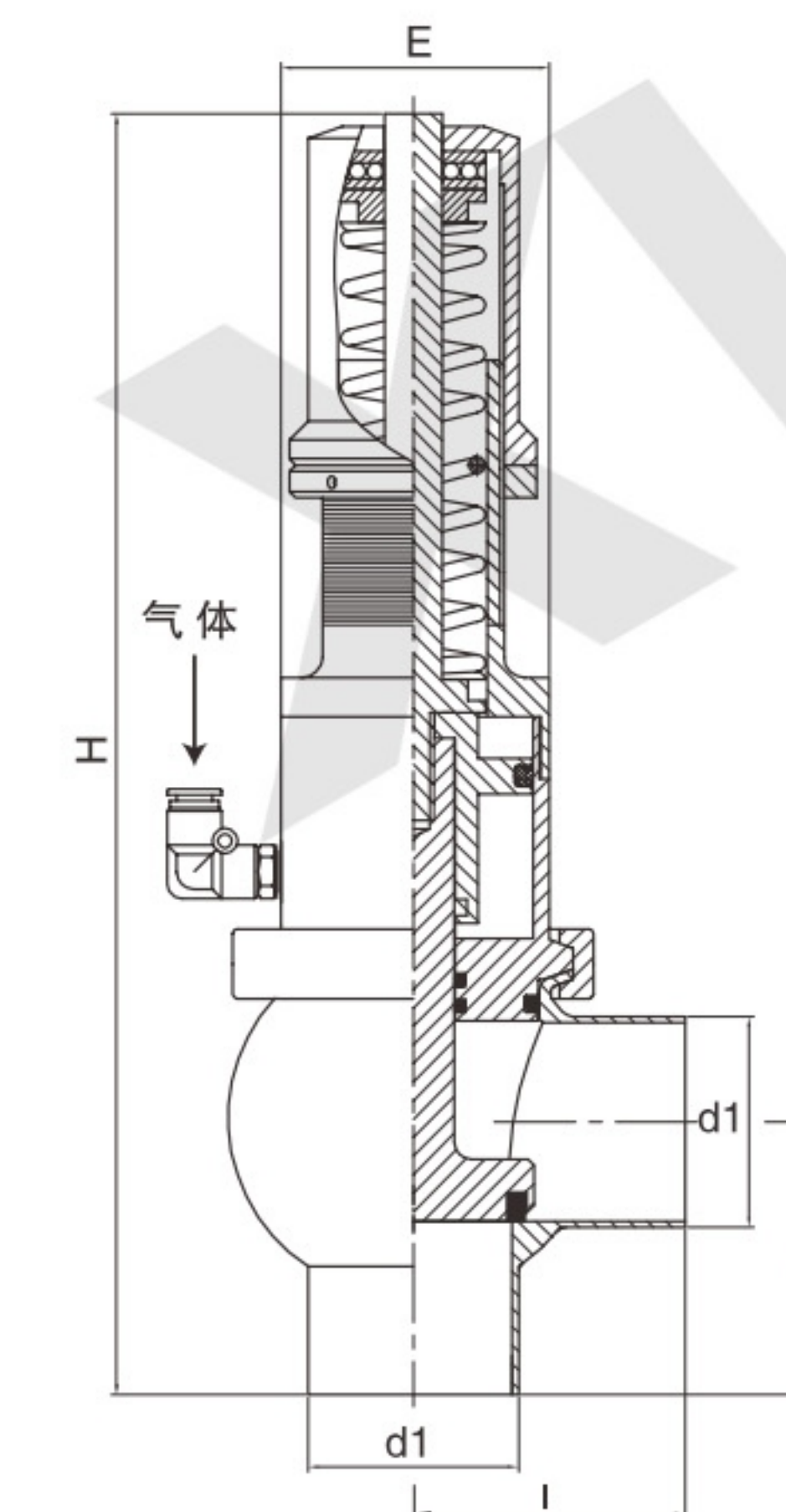
Welded Safety Valve(inches)

Size	d1	手动 H Manual H	l
1"	28	219	59
1 1/2"	40	250	59
2"	52	252	88

焊接气动安全阀(DIN)

Welded Pneumatic Safety Valve(din)

Size	d1	气动 H Pneumatic H	l
25	28	275	59
40	40	305	59
50	52	305	88



焊接气动安全阀(3A)

Welded Pneumatic Safety Valve(3a)

DN	d1	气动 H Pneumatic H	l
1"	25.4	275	59
1 1/2"	38.1	305	59
2"	50.8	305	88