

卫生级清洗球

SANITARY CLEANING BALL

应用 / APPLICATIONS

- 旋转式清洗球：是一种旋转喷头，它使用清洁剂对储罐进行全面清洗和喷射。由于此设备在低压下使用的洗涤液量较少，因此它是传统固定喷球的一种有效替代产品。旋转头中采用双滚珠轴承，这使该类型清洗球系列适用于所有卫生级和工业级清洗应用领域，包括储罐、反应器和容器等所有卫生级和工业级用品的清洗任务。
- 固定式清洗球：是食品和饮料行业中一种用来清洗储罐的固定喷球。固定喷球用于要求较低的任务。
- Rotary cleaning ball: it's a kind of rotary sprayer, which use cleanser to spray strongly and clean inside of the tank. It is one which is effective replace the traditional fixed cleaning ball for it can be used under low pressure with less detergent. The rotary sprayer use dual ball bearing, so it is suitable for the sanitary and industrial application, include tank, reactor, vessel etc.
- Fixed cleaning ball: it's a type of fixed spray ball of cleaning storage tank. The fixed spray ball is use to cleaning task with lower requirement.



技术参数 / TECHNICAL DATA

- 重量：视具体规格
- 润滑：通过清洗液自润滑
- 工作压力：1-3Bar
- 最高工作温度：95°C
- 最高环境温度：140°C
- 湿润半径：最大3m
- 喷射清洗半径：最大有效半径2m
- 接口：焊接式、快装式和螺纹式
- Weight: As per specification
- Lubrication by the cleaner itself.
- Working pressure: 1-3Bar
- Max. working temperature: 95°C
- Max. ambient temperature: 140°C
- Moist radius: max. 3M
- Inject cleaning radius: max. effective radius 2M
- Connection: welded, clamped, threaded

材料 / MATERIAL

- 接头：304/316L
- 喷头：304/316L
- Ferrule: 304/316L
- Sprayer: 304/316L

工作原理 / OPERATING PRINCIPLES

- 旋转式清洗球：清洗液通过自身的动力使清洗球喷头旋转，扇形喷流在整个储罐会反应皿中形成涡流，由此有效的清除留在容器表面的残余产品，达到清洁作用。
- 固定式清洗球：清洗球通过清洗球的喷头小口，形成向四周喷射的喷流，从而清除留在容器表面残余产品，达到清洁作用。
- Rotary cleaning ball: The cleaning solution make the sprayer rotary by it's motive power, then the fan jet created the whole tank and reactor with vortex. In that way, clean the remains of vessel surface effectively, reach the function of cleaning.
- Fixed cleaning ball: the cleaning ball is through the sprayer small hole, create the injection all around. In that way, clean the remains of vessel surface effectively, reach the function of cleaning.

设计标准 / DESIGN STANDARD

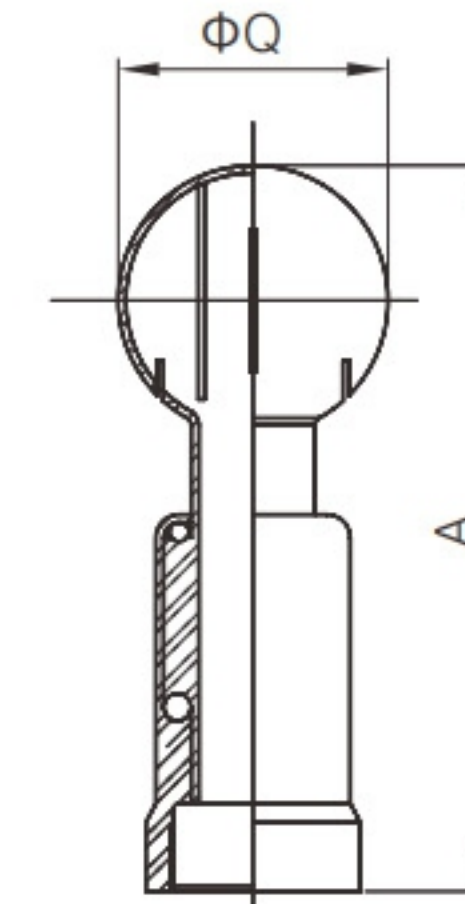
- Yodsn生产的清洗球系列均符合DIN、3A、SMS、ISO/IDF等生产标准。
- Yodsn have the standard of cleaning ball series as follows: DIN, 3A, SMS, ISO/IDF

旋转式清洗球

ROTARY CLEANING BALL

螺纹式

Threaded



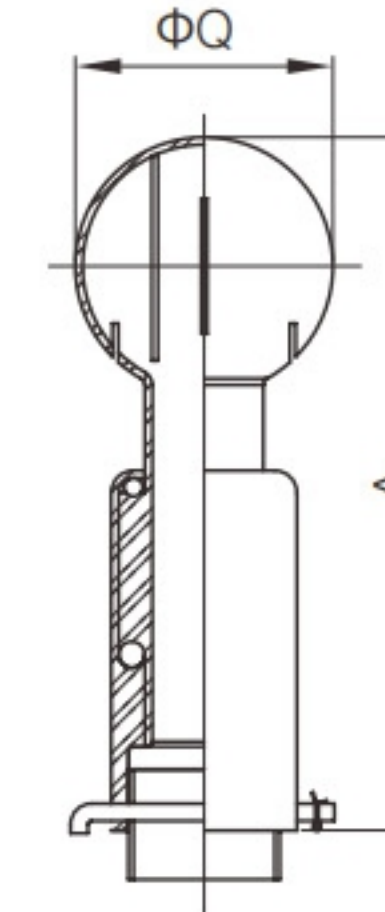
Size	A	Q
1"	138.0	53.0
1 1/4"	160.0	53.0
1 1/2"	170.0	53.0
2"	185.0	76.0
2 1/2"	200.0	91.0

技术参数 Technical parameter

Size	Pressure (bar)	Cleaning radius (m)	Fluxation m ³ /h
1"~1.5"	2	1.25	12
2"	2	1.5	38
2.5"	2	2.0	38

插销式

Bolted



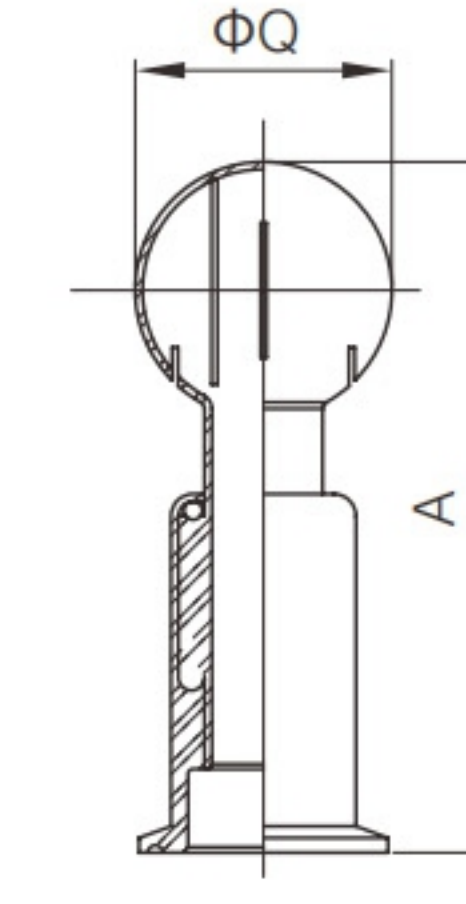
Size	A	Q
1"	138.0	53.0
1 1/4"	138.0	53.0
1 1/2"	152.0	53.0
2"	168.0	63.0
2 1/2"	190.0	76.0

技术参数 Technical parameter

Size	Pressure (bar)	Cleaning radius (m)	Fluxation m ³ /h
1"~1.5"	2	1.25	12
2"	2	1.5	38
2.5"	2	2.0	38

卡箍式

Clamped



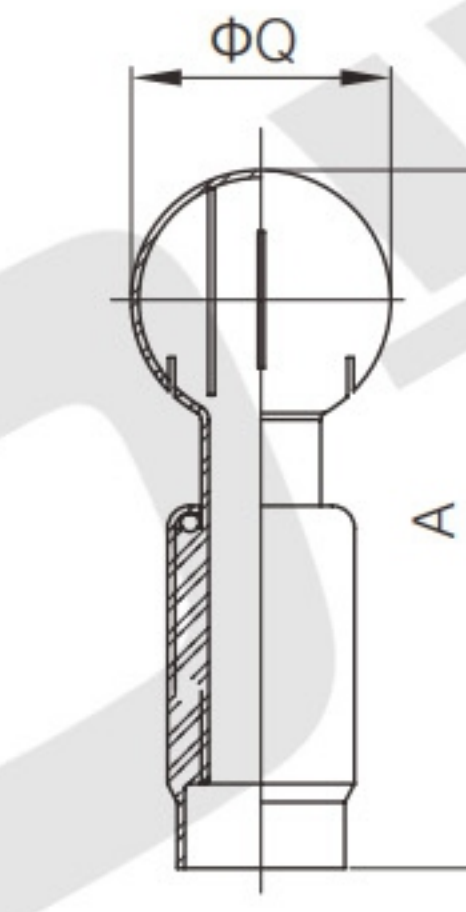
Size	A	Q
1"	135.0	53.0
1 1/4"	138.0	53.0
1 1/2"	135.0	53.0
2"	168.0	63.0
2 1/2"	190.0	76.0

技术参数 Technical parameter

Size	Pressure (bar)	Cleaning radius (m)	Fluxation m ³ /h
1"~1.5"	2	1.25	12
2"	2	1.5	38
2.5"	2	2.0	38

焊接式

Welded



Size	A	Q
1"	138.0	53.0
1 1/4"	138.0	53.0
1 1/2"	138.0	53.0
2"	168.0	63.0
2 1/2"	190.0	76.0

技术参数 Technical parameter

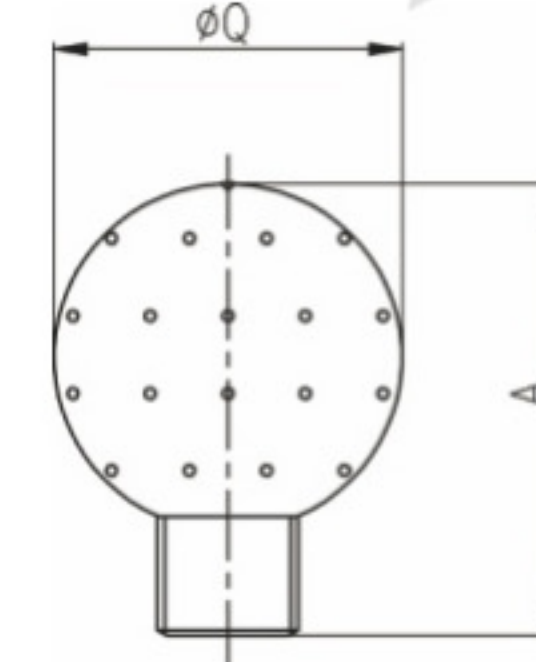
Size	Pressure (bar)	Cleaning radius (m)	Fluxation m ³ /h
1"~1.5"	2	1.25	12
2"	2	1.5	38
2.5"	2	2.0	38

固定式清洗球

FIXED CLEANING BALL

螺纹式

Threaded



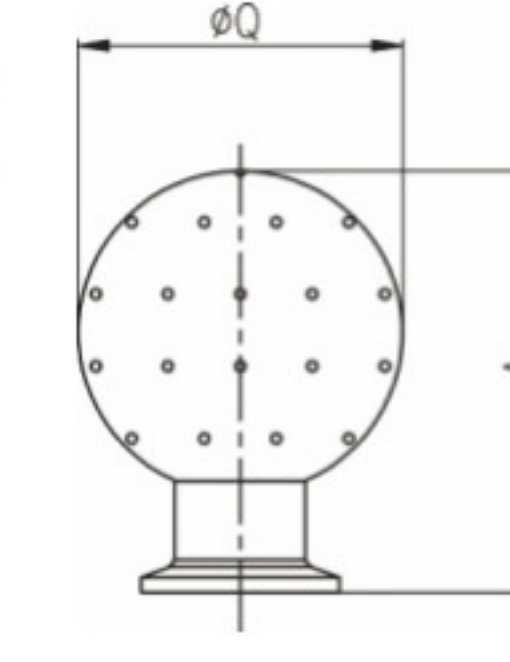
Size	A	Q
1"	72.0	63.0
1 1/4"	85.0	76.0
1 1/2"	87.0	76.0
2"	102.0	91.0

技术参数 Technical parameter

Size	Pressure (bar)	Cleaning radius (m)	360°/180° Fluxation m ³ /h
1"	2.5	1.0~1.25	17/10
1 1/4"~1 1/2"	2.5	1.25~1.75	23/17
2"	2.5	2.0~3.0	53/38
2 1/2"	3.5	3.0~3.5	58/41

卡箍式

Clamped

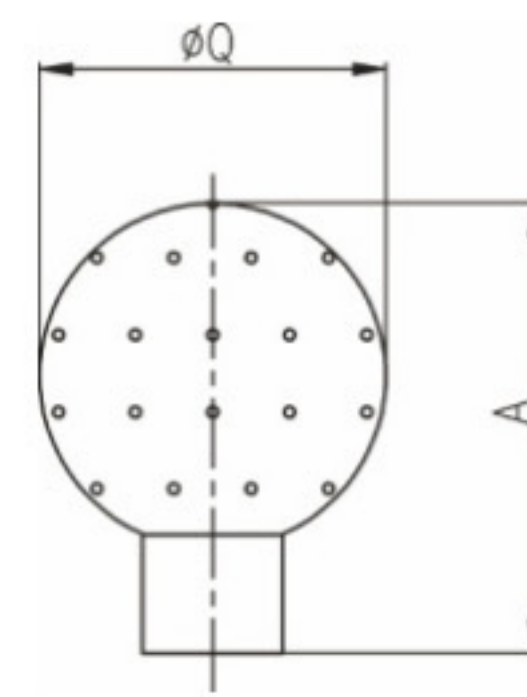


Size	A	Q
1"	88.0	63.0
1 1/4"	84.0	63.0
1 1/2"	84.0	63.0
2"	95.0	76.0
2 1/2"	115.0	100.0

技术参数 Technical parameter

Size	Pressure (bar)	Cleaning radius (m)	360°/180° Fluxation m ³ /h
1"	2.5	1.0~1.25	17/10
1 1/4"~1 1/2"	2.5	1.25~1.75	23/17
2"	3.5	2.0~3.0	55/38
2 1/2"	3.5	3.0~3.5	58/41

固定式清洗球 FIXED CLEANING BALL

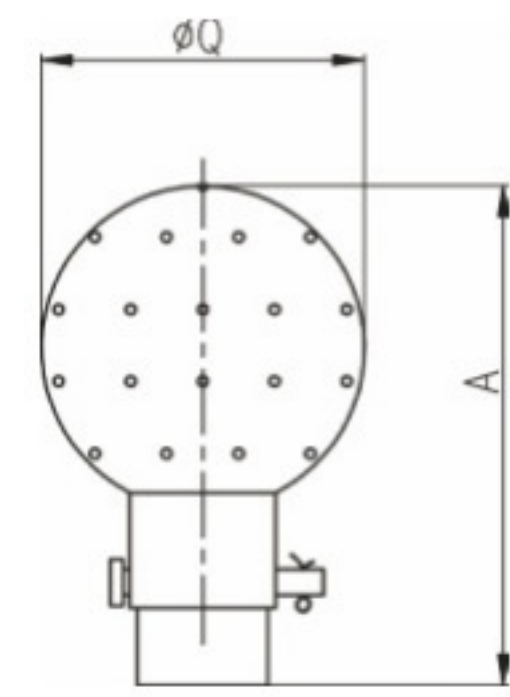


焊接式 Welded

Size	A	Q
1"	72.0	63.0
1 1/2"	85.0	63.0
2"	87.0	91.0
2 1/2"	102.0	100.0

技术参数 Technical parameter

Size	Pressure (bar)	Cleaning radius (m)	360°/180° Fluxation m³/h
1"	2.5	1.0~1.25	17/10
1 1/4~1 1/2"	2.5	1.25~1.75	23/17
2"	3.5	2.0~3.0	55/38
2 1/2"	3.5	3.0~3.5	58/41



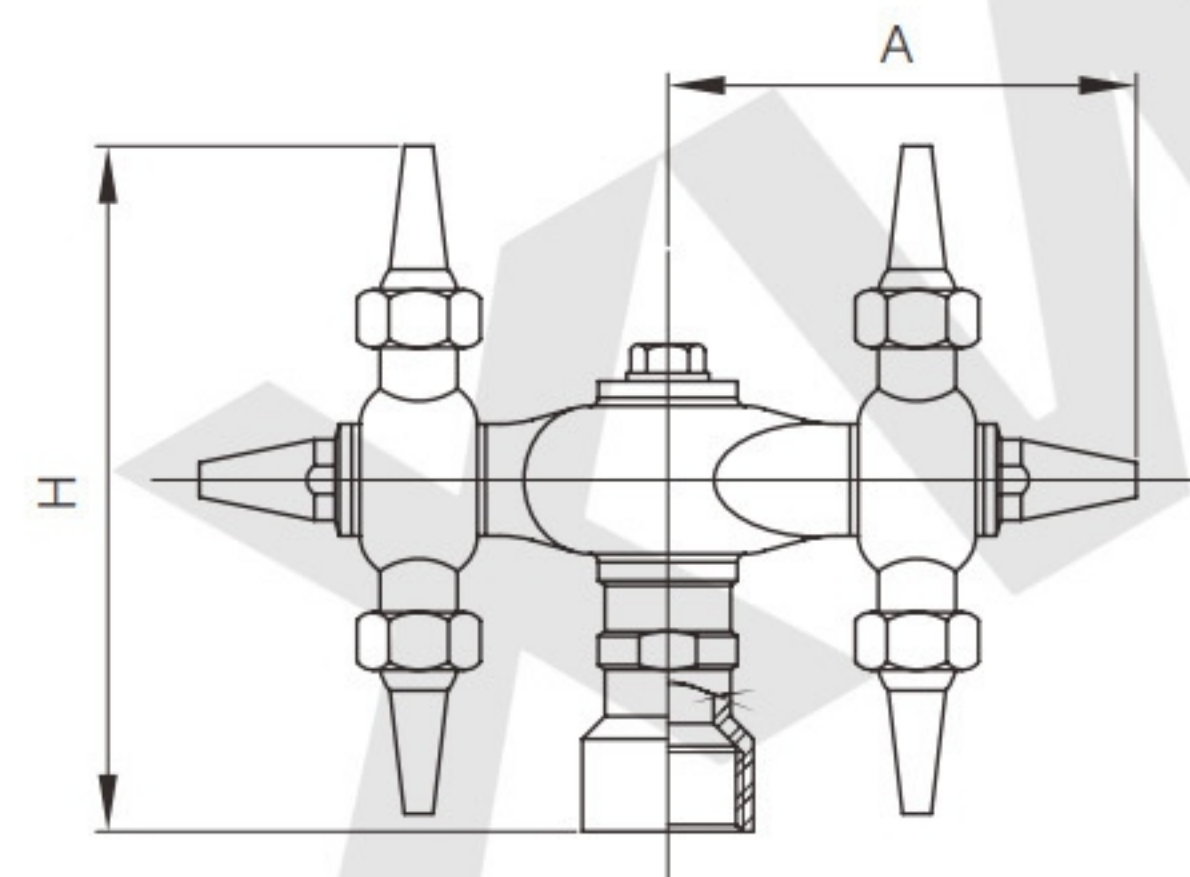
插销式 Bolted

Size	A	Q
1"	83.0	63.0
1 1/2"	84.0	63.0
2"	118.0	91.0
2 1/2"	135.0	100.0

技术参数 Technical parameter

Size	Pressure (bar)	Cleaning radius (m)	360°/180° Fluxation m³/h
1"	2.5	1.0~1.25	17/10
1 1/4~1 1/2"	2.5	1.25~1.75	23/17
2"	3.5	2.0~3.0	55/38
2 1/2"	3.5	3.0~3.5	58/41

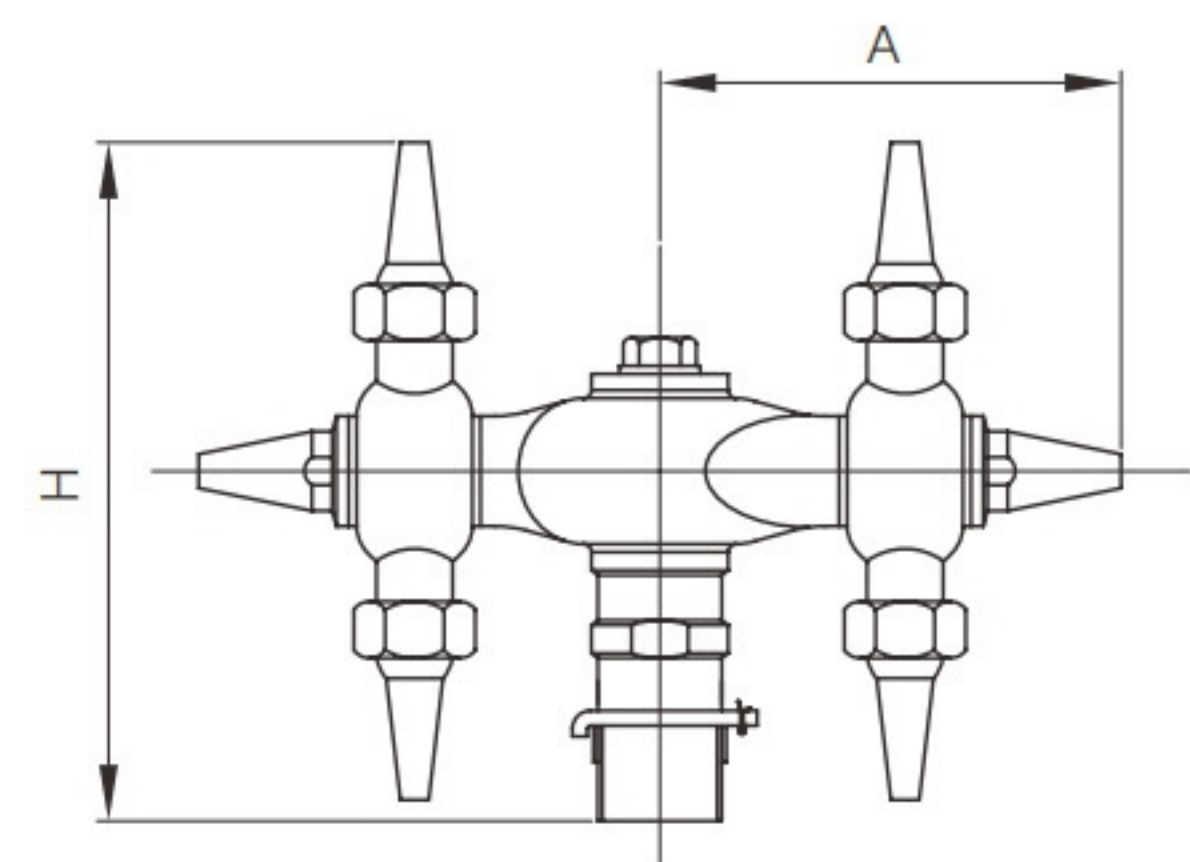
旋转式清洗器 ROTARY CLEANER



螺纹式 Threaded

技术参数 Technical parameter

Size	A	H	Pressure (bar)	Cleaning radius (m)	Fluxation m³/h
1"	118.0	165.0	1.5~2.0	2.0~3.0	23
1 1/4~1 1/2"	142.0	189.0	1.8~2.5	2.5~3.0	38
2"	145.0	191.0	2.5~3.0	3.5~4.0	60



插销式 Bolted

技术参数 Technical parameter

Size	A	H	Pressure (bar)	Cleaning radius (m)	Fluxation m³/h
1"	118.0	175.0	1.5~2.0	2.0~3.0	23
1 1/4~1 1/2"	142.0	200.0	1.8~2.5	2.5~3.0	38
2"	145.0	205.0	2.5~3.0	3.5~4.0	60