

STOP AND REVERSING VALVE

截止换向阀



Cut-off/Reversal Valves

优点

卫生截止/转换阀门，具有更多的安全性、洁净性、耐久性 & 美观性拥有开放式的支架，将气头与阀体分开，可以直接对轴密封进行检查。这一设计使阀的传动装置和产品部分分离，防止了从阀体到气动装置的热传递阀门“常关闭”与“常开启”功能可瞬间转换

球形阀体具有理想的流动性，清洗性对物料的处理更温和标准的阀件设计，使联接组合有高度的灵活性和多样性金属止动，保证了更长的密封寿命快速、便捷的装配及维修操作。

ADVANTAGE

Hygienic cut-off / switch valves have more safety, cleanliness, durability and aesthetics

With open bracket, the actuator and body were dissociated. You can check the shaft seal directly. The design makes the transmission and the product are partially separated to prevent heat transfer from the body to the actuator

The condition “NO” and “NC” can be changed instantly

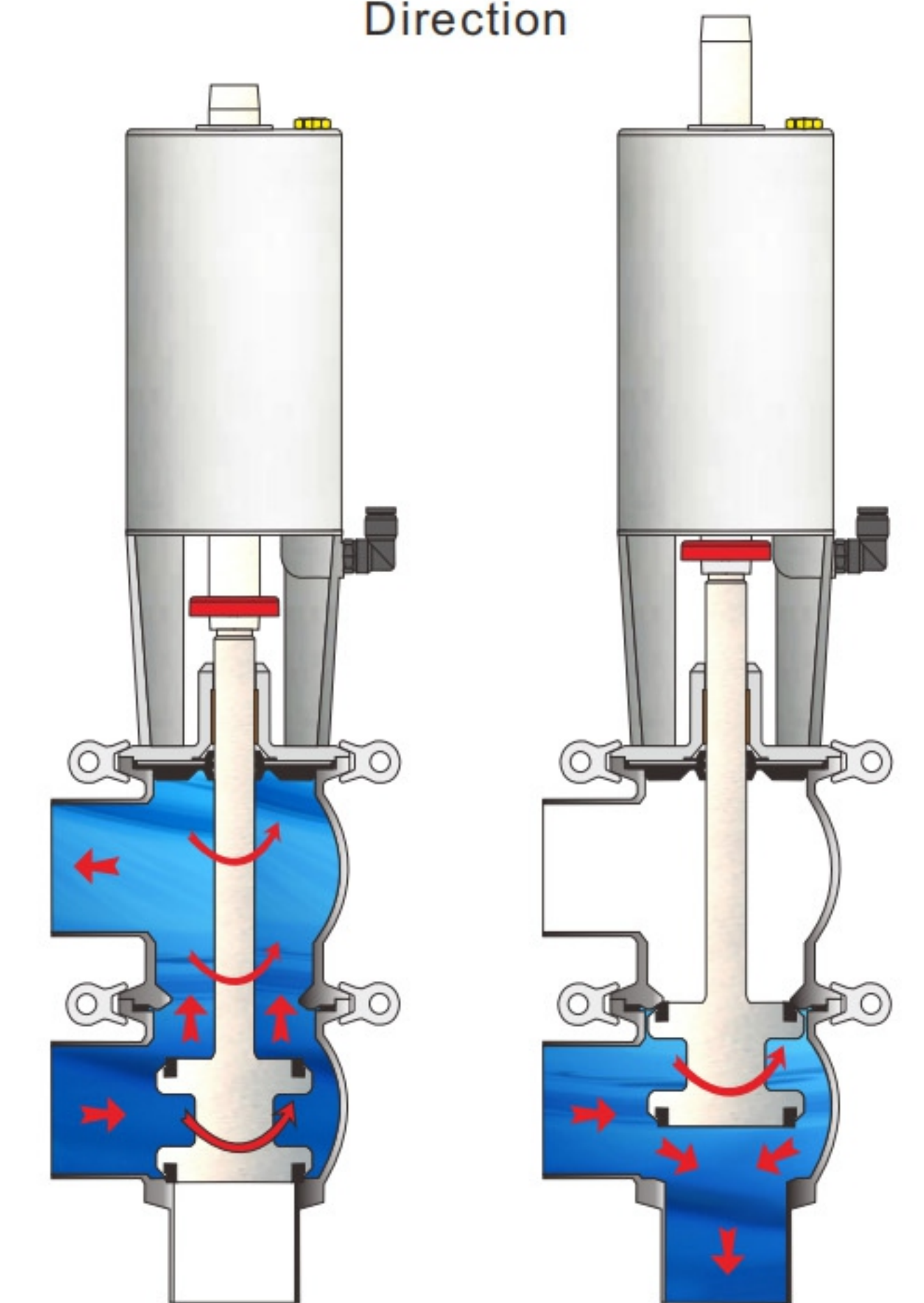
The spherical body has the ideal flowability and cleaning properties. Also, the treatment of the material is more moderate

The standard valve design makes that the coupling combination has a high degree of spirit Activity and diversity

Metal stop ensures a longer seal life

Fast and convenient assembly and maintenance operations

液体流向
Liquid Flow
Direction



材质

产品与介质接触部分304或316L
密封材料:标配EPDM另有硅胶、氟胶可选用

表面处理

外部:喷砂处理 $Ra \leq 1.6\mu m$
抛亚光 $Ra \leq 0.8\mu m$
内部:抛光 $Ra \leq 0.4\mu m$

执行器使用压缩空气质量要求

压缩空气连接: 空气管配备空气接头R1/8"
最大颗粒尺寸: 0.01mm
最大油含量: 0.08ppm
露点: 大气温度以下 $10^{\circ}C$ 或更低
最大水含量: 7.5g/kg

焊接口橡胶保护套
Welding mouth rubber protective cover



信息反馈装置
Signal Feed Back Device



MATERIAL

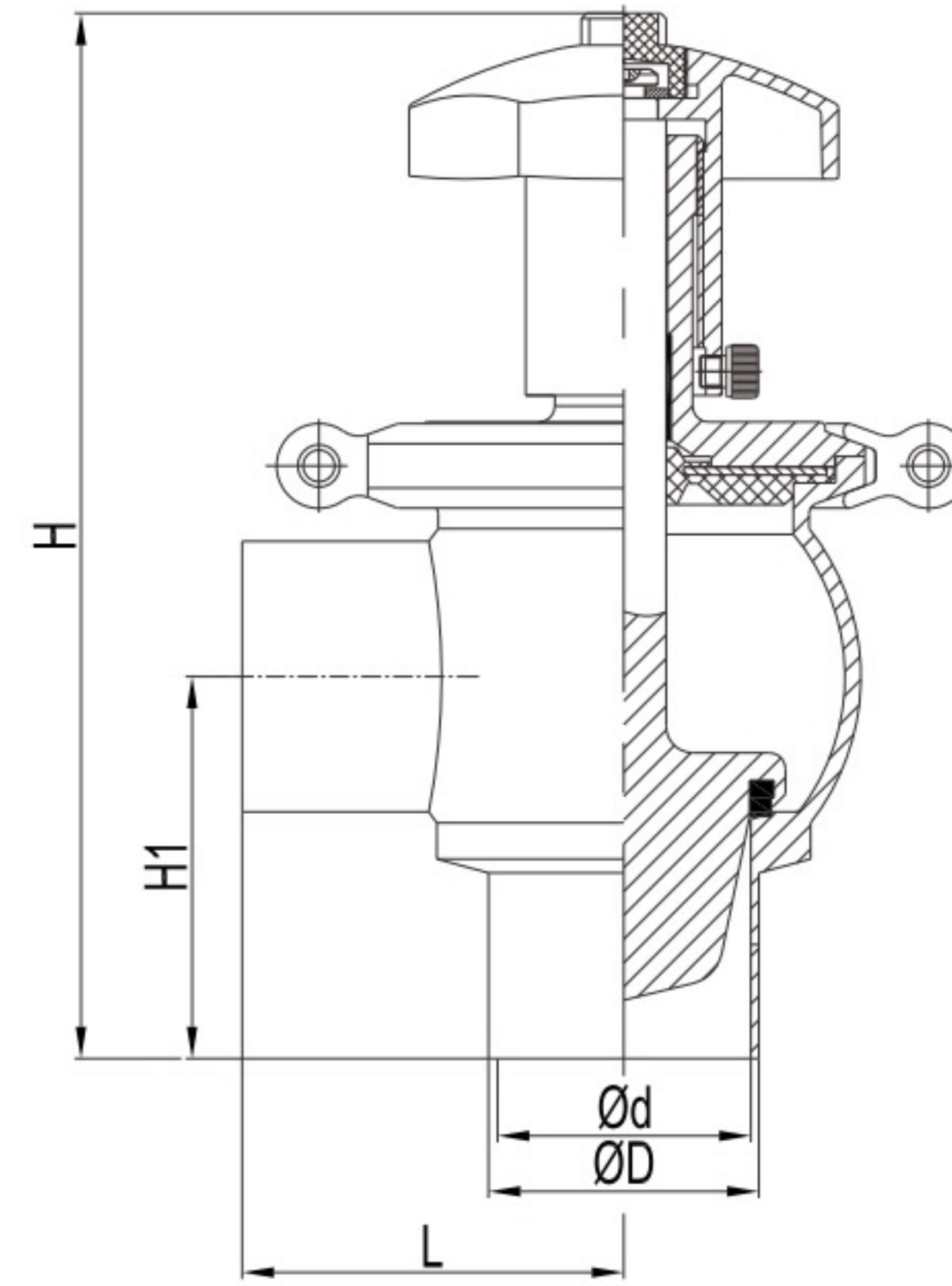
Material Contact Parts:304 or 316L
Sealing material:standard EPDM Silica gel,fl uorine gel for option

SURFACE TREATMENT

Outside:Sandblast $Ra \leq 1.6\mu m$
Sublight $Ra \leq 0.8\mu m$
Inside:polish $Ra \leq 0.4\mu m$

REQUIREMENTS FOR COMPRESSED AIR QUALITY THAT THE EXECUTOR NEEDS

Compressed air joint:air pipe equiped equips with air adapter R1/8"
Max grain size:0.01mm
Max oil content:0.08ppm
Dew point:below $10^{\circ}C$ or less
Max water content:7.5g/kg



手动流量调节阀
Manual Flow Control Valve

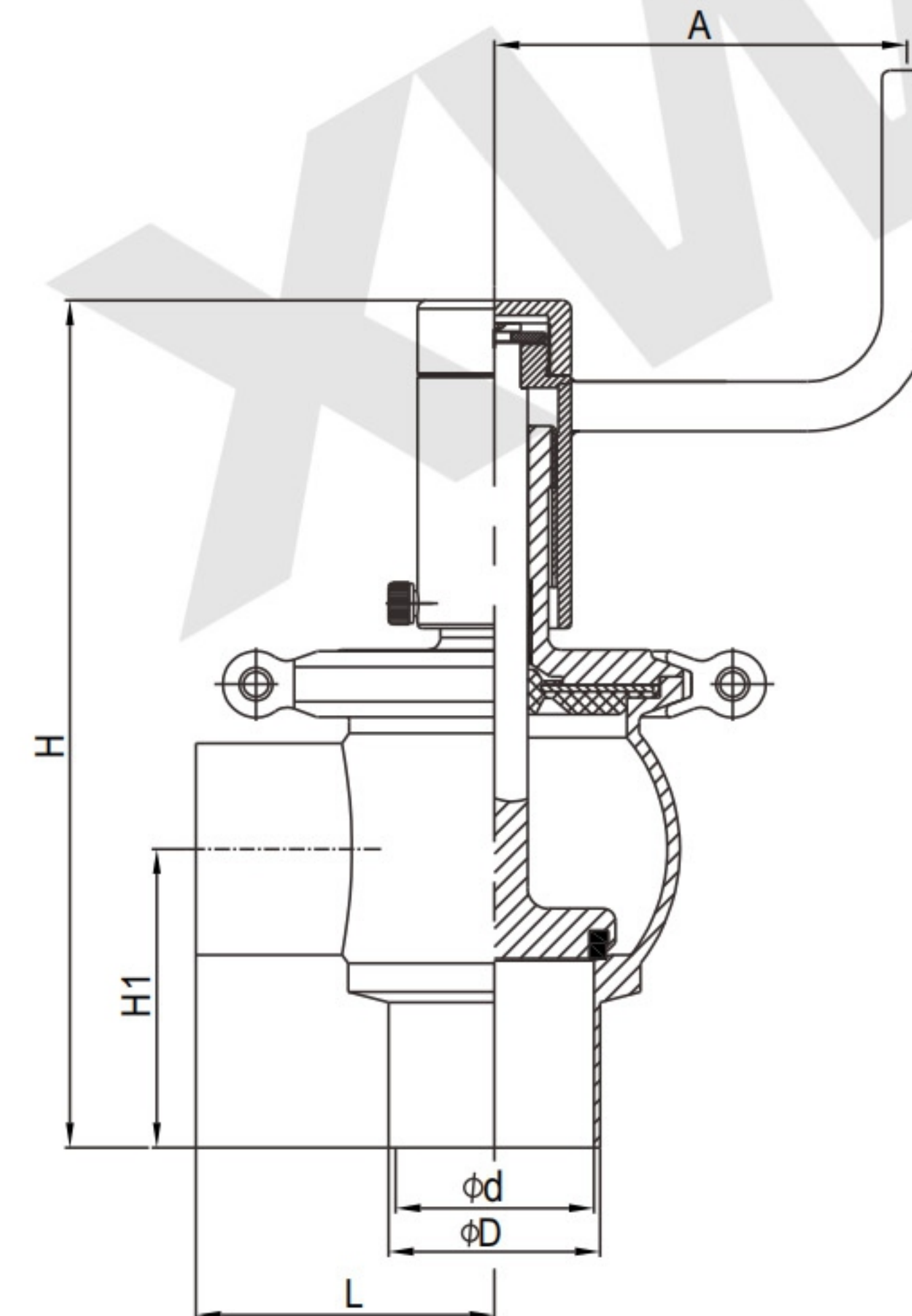
Size	d	D	L	H1	H
1"	22.4	25.4	72	72	192
1.25"	28.8	31.8	72	72	192
1.5"	35.1	38.1	72	72	192
2"	47.8	50.8	72	72	192
2.5"	59.5	63.5	80	75	201

Size	d	D	L	H1	H
DN25	25	28	72	72	192
DN32	31	34	72	72	192
DN40	37	40	72	72	192
DN50	49	52	72	72	192

手动截止阀
Manual Stop Valve

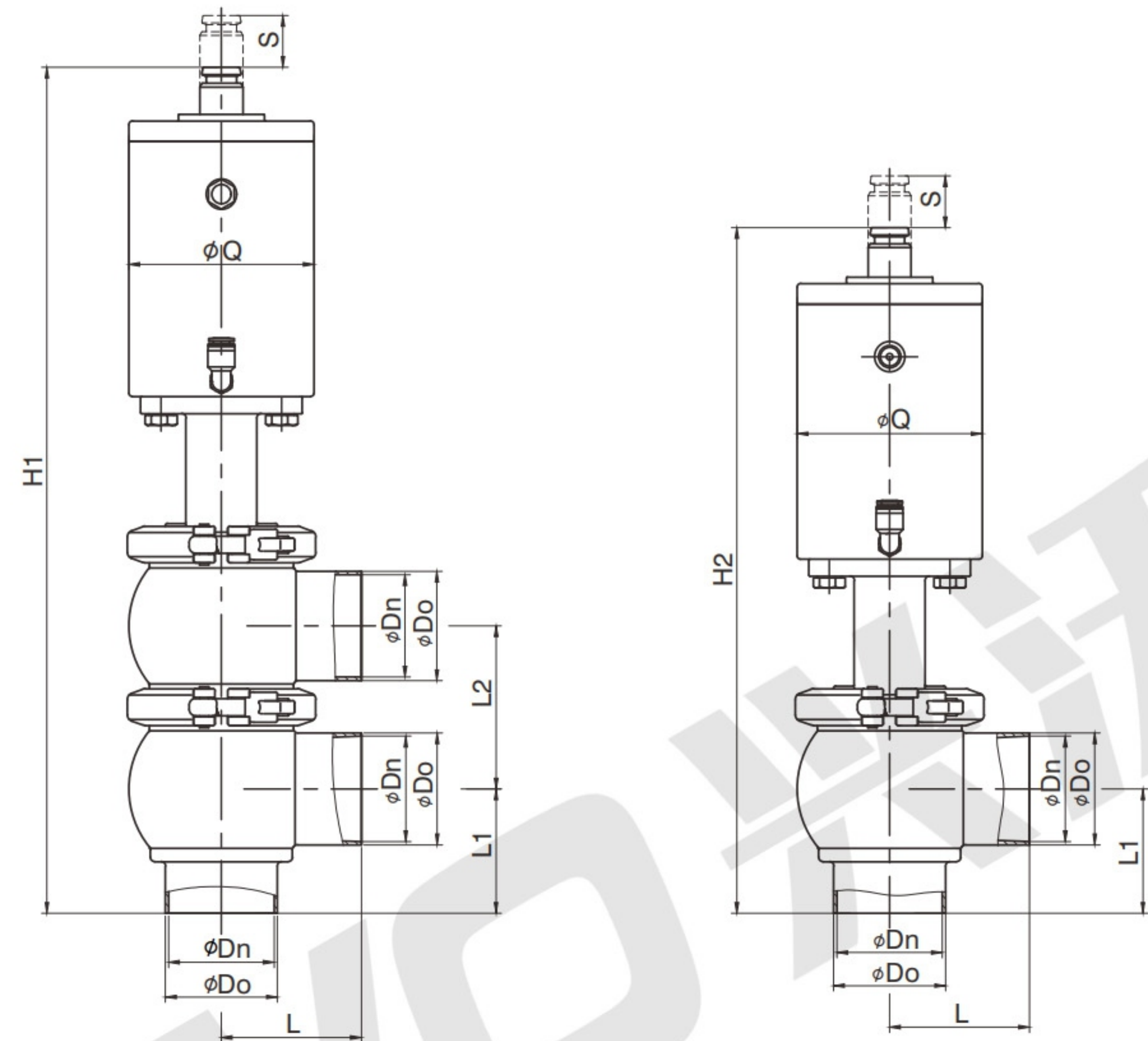
Size	d	D	L	H1	A	H
1"	22.4	25.4	72	72	100	204
1.25"	28.8	31.8	72	72	100	204
1.5"	35.1	38.1	72	72	100	204
2"	47.8	50.8	72	72	100	204
2.5"	59.5	63.5	80	75	100	213
3"	72.2	76.2	98	98	125	258
3.5"	84.9	88.9	107	107	125	272
4"	97.6	101.6	135	127	125	300

Size	d	D	L	H1	A	H
DN25	25	28	72	72	100	204
DN32	31	34	72	72	100	204
DN40	37	40	72	72	100	204
DN50	49	52	72	72	100	204
DN65	66	70	97	97	125	252
DN80	81	85	107	107	125	272
DN100	100	104	135	127	125	300



焊接球型换向阀

WELDING BALL TYPE DIRECTIONAL VALVE



3A(适用ASME BPE/DIN11866-C系列)

3A (applicable to ASME BPE/DIN11866-C series)

SIZE	Dn	D	L	L1	L2	Q	H1	H2	S
1"	22.1	25.4	55	52	68	86	383	314	16
1.5"	34.8	38.1	55	47	68	86	373	304	21
2"	47.5	50.8	65	57	76	86	393	318	22
2.5"	60.2	63.5	80	66	86	133	461	375	35
3"	72.9	76.2	90	76	108	133	504	396	35
4"	97.4	101.6	114	114	136	168	618	484	30

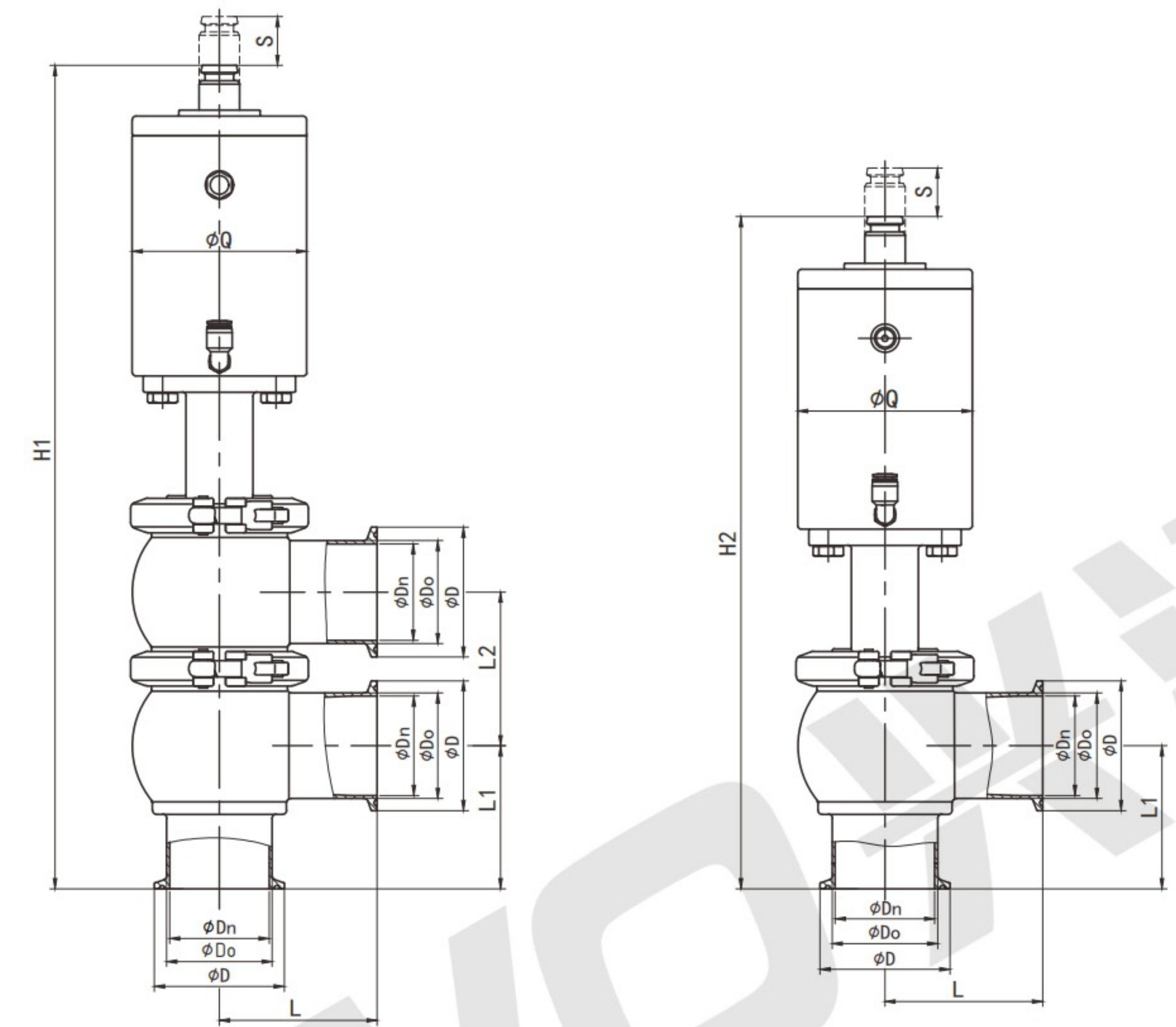
DIN(适用DIN11850/DIN11866-A系列)

DIN (applicable to DIN11850/DIN11866-A series)

SIZE	Dn	D	A	B	C	Q	H1	H2	S
DN25	25	28	55	52	68	86	383	314	16
DN32	31	34	55	52	68	86	380	313	19
DN40	37	40	55	47	68	86	373	304	21
DN50	49	52	65	57	76	86	393	318	22
DN65	66	70	90	76	108	133	504	396	35
DN80	81	85	99	84	124	168	568	447	32
DN100	100	104	114	114	136	168	618	484	30

快装球型换向阀

TRICLAMP BALL TYPE DIRECTIONAL VALVE



3A(适用ASME BPE/DIN11866-C系列)

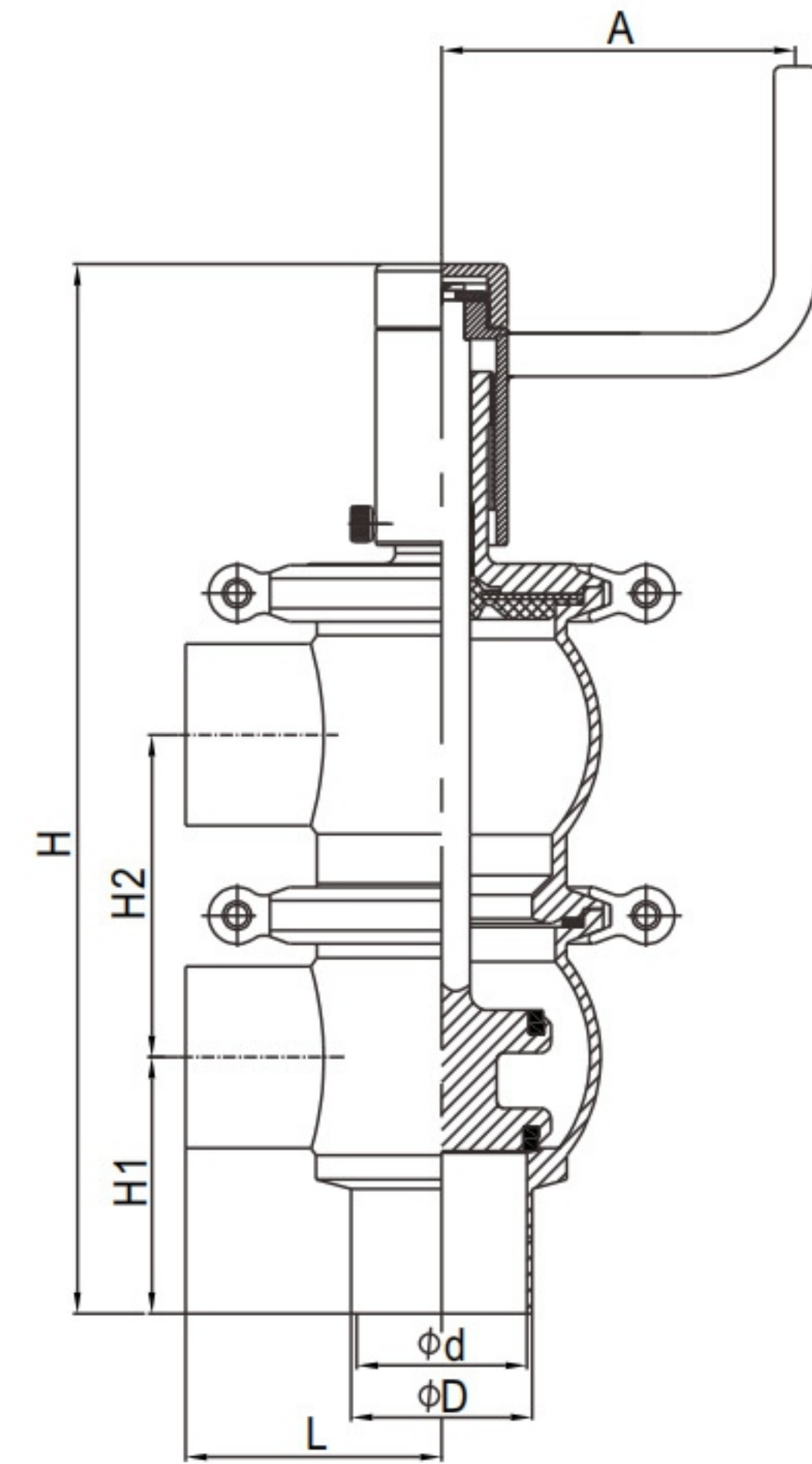
3A (applicable to ASME BPE/DIN11866-C series)

SIZE	D	Dn	Do	L	L1	L2	Q	H1	H2	S
1"	50.5	22.1	25.4	68	65	68	86	396	327	16
1.5"	50.5	34.8	38.1	68	60	68	86	386	317	21
2"	64	47.5	50.8	78	70	76	86	406	330	22
2.5"	77.5	60.2	63.5	93	79	86	133	475	388	35
3"	91	72.9	76.2	103	89	108	133	517	409	35
4"	119	97.4	101.6	130	130	136	168	635	500	30

DIN(适用DIN11850/DIN11866-A系列)

DIN (applicable to DIN11850/DIN11866-A series)

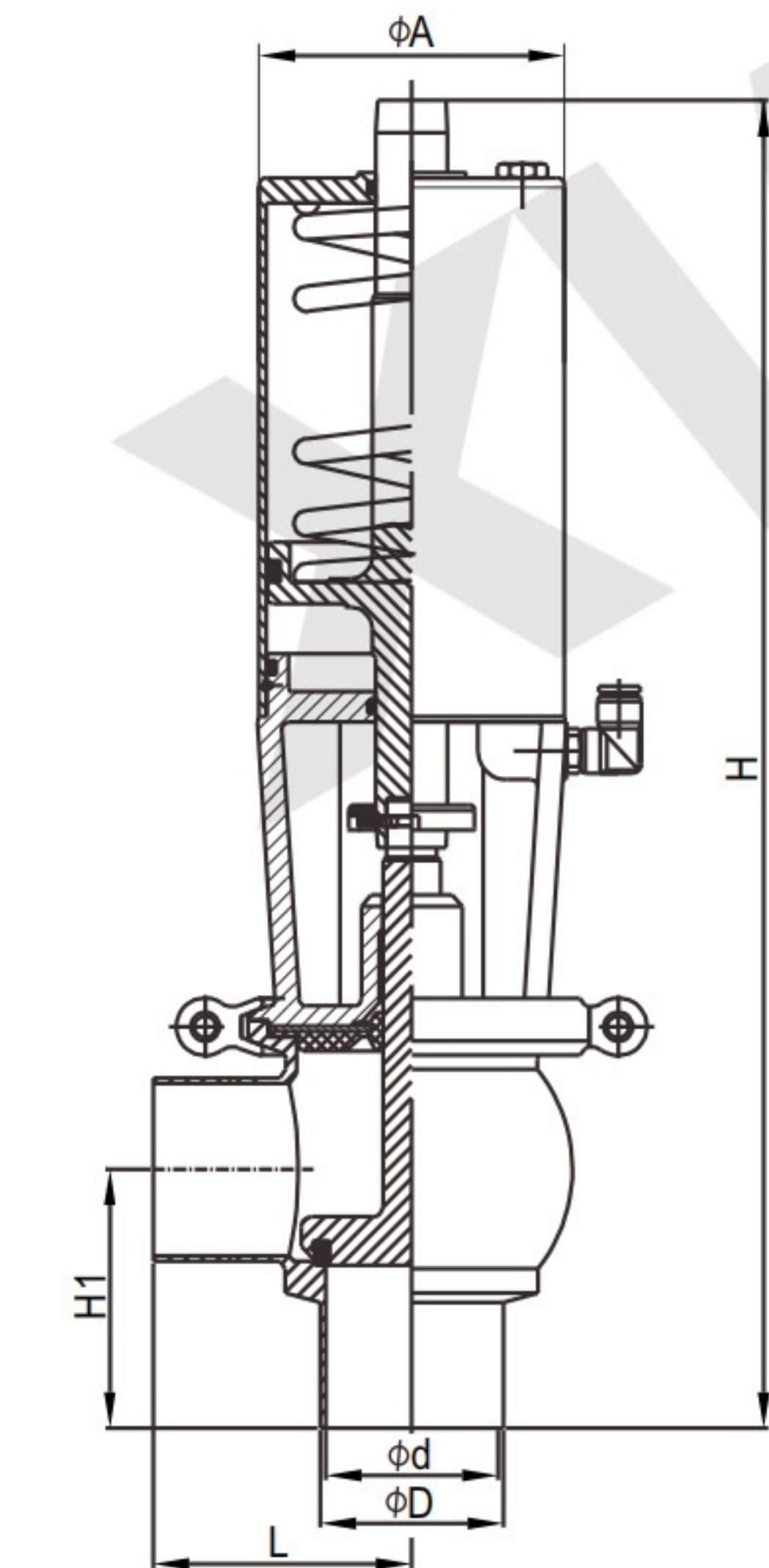
SIZE	D	Dn	Do	L	L1	L2	Q	H1	H2	S
DN25	50.5	25	28	76	74	68	86	405	335	16
DN32	50.5	31	34	76	74	68	86	402	335	19
DN40	50.5	37	40	76	69	68	86	395	326	21
DN50	64	49	52	86	79	76	86	415	340	22
DN65	77.5	66	70	118	104	108	133	532	424	35
DN80	106	81	85	127	112	124	168	597	475	32
DN100	119	100	104	142	142	136	168	647	512	30



手动换向阀
Manual Valve

Size	d	D	L	H1	H2	A	H
1"	22.4	25.4	72	72	90	100	295
1.25"	28.8	31.8	72	72	90	100	295
1.5"	35.1	38.1	72	72	90	100	295
2"	47.8	50.8	72	72	90	100	295
2.5"	59.5	63.5	80	75	99	100	312
3"	72.2	76.2	98	98	107	125	364
3.5"	84.9	88.9	107	107	120	125	392
4"	97.6	101.6	135	127	135	125	434

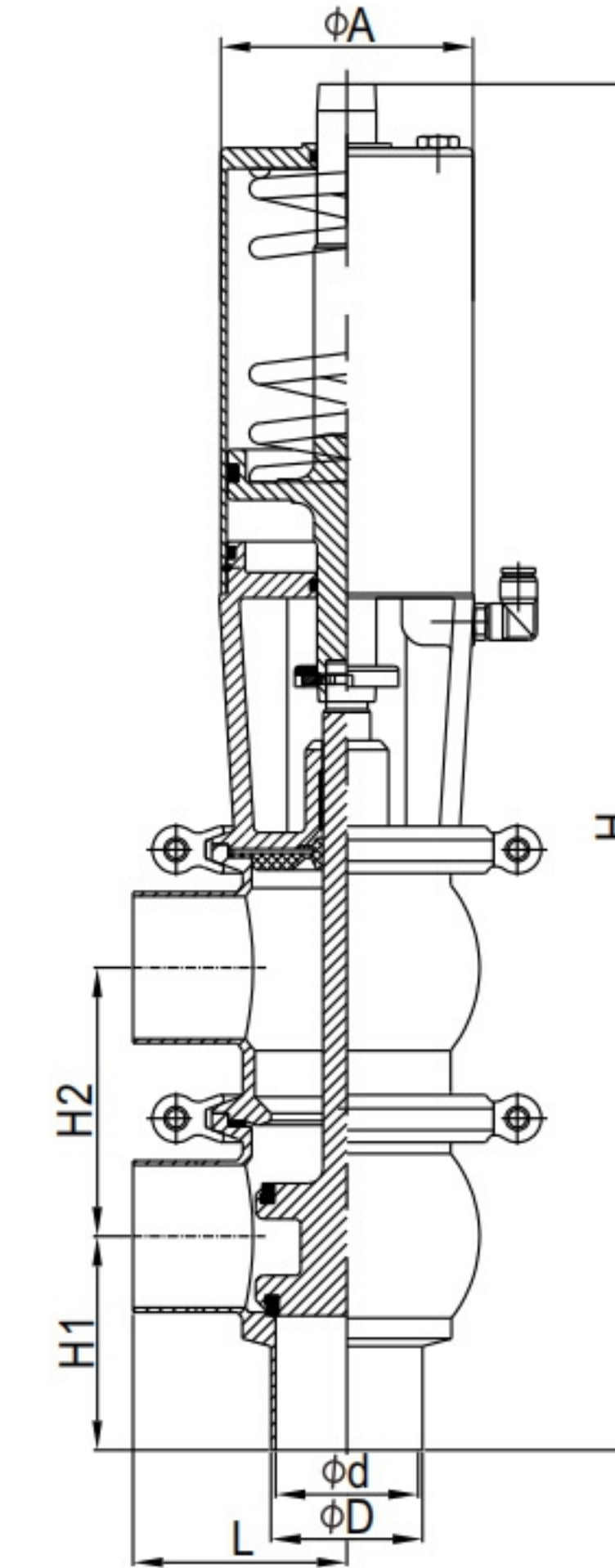
Size	d	D	L	H1	H2	A	H
DN25	25	28	72	72	90	100	295
DN32	31	34	72	72	90	100	295
DN40	37	40	72	72	90	100	295
DN50	49	52	72	72	90	100	295
DN65	66	70	97	97	107	125	364
DN80	81	85	107	107	120	125	392
DN100	100	104	135	127	135	125	434



气动截止阀
Pneumatic Shut - Off Valve

Size	d	D	L	H1	A	H
1"	22.4	25.4	72	72	86	367
1.25"	28.8	31.8	72	72	86	367
1.5"	35.1	38.1	72	72	86	367
2"	47.8	50.8	72	72	86	367
2.5"	59.5	63.5	80	75	86	373
3"	72.2	76.2	98	98	108	404
3.5"	84.9	88.9	107	107	133	442
4"	97.6	101.6	135	127	152	478

Size	d	D	L	H1	A	H
DN25	25	28	72	72	86	367
DN32	31	34	72	72	86	367
DN40	37	40	72	72	86	367
DN50	49	52	72	72	86	367
DN65	66	70	97	97	108	418
DN80	81	85	107	107	133	442
DN100	100	104	135	127	152	478



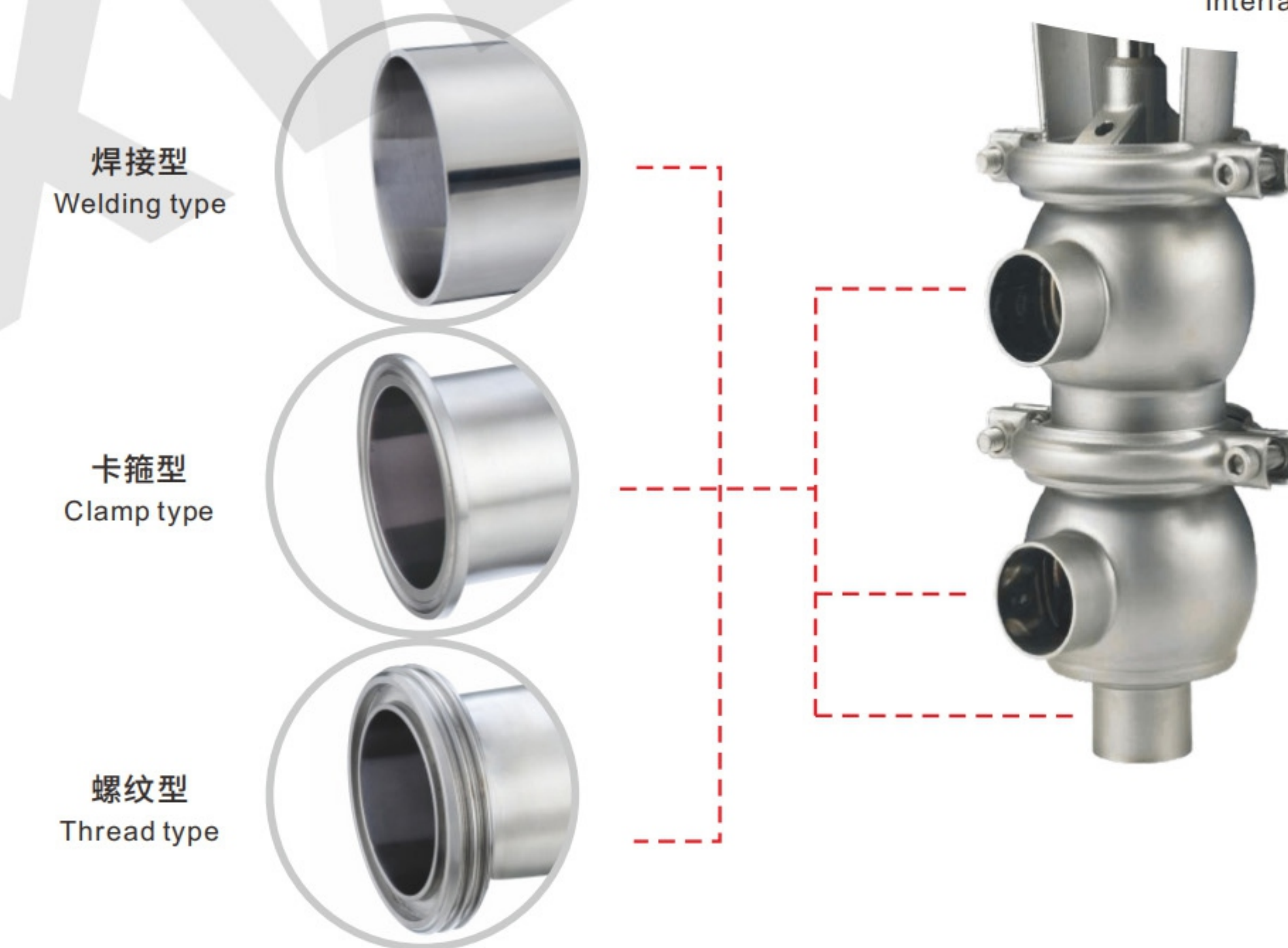
气动换向阀
Pneumatic Valve

Size	d	D	L	H1	H2	A	H
1"	22.4	25.4	72	72	90	86	453
1.25"	28.8	31.8	72	72	90	86	453
1.5"	35.1	38.1	72	72	90	86	453
2"	47.8	50.8	72	72	90	86	453
2.5"	59.5	63.5	80	75	99	86	472
3"	72.2	76.2	98	98	107	108	509
3.5"	84.9	88.9	107	107	120	133	562
4"	97.6	101.6	135	127	135	152	612

Size	d	D	L	H1	H2	A	H
DN25	25	28	72	72	90	86	453
DN32	31	34	72	72	90	86	453
DN40	37	40	72	72	90	86	453
DN50	49	52	72	72	90	86	453
DN65	66	70	97	97	107	108	528
DN80	81	85	107	107	120	133	562
DN100	100	104	135	127	135	152	612

智能型气动换向阀
Intelligent Pneumatic Valve

接口形状
Interface shape



迷你型气动截止/换向阀

MINI PNEUMATIC STOP/REVERSE VALVE

应用

该款阀门广泛适用于小型实验设备和灌装设备。

设计特点

- 微小轻便
- 分体式设计
- 拆装方便

APPLICATION

The valve is widely used in small laboratory equipment and filling equipment.

DESIGN FEATURES

- Small portable
- Split design
- Tear open outfit is convenient



迷你型气动换向阀

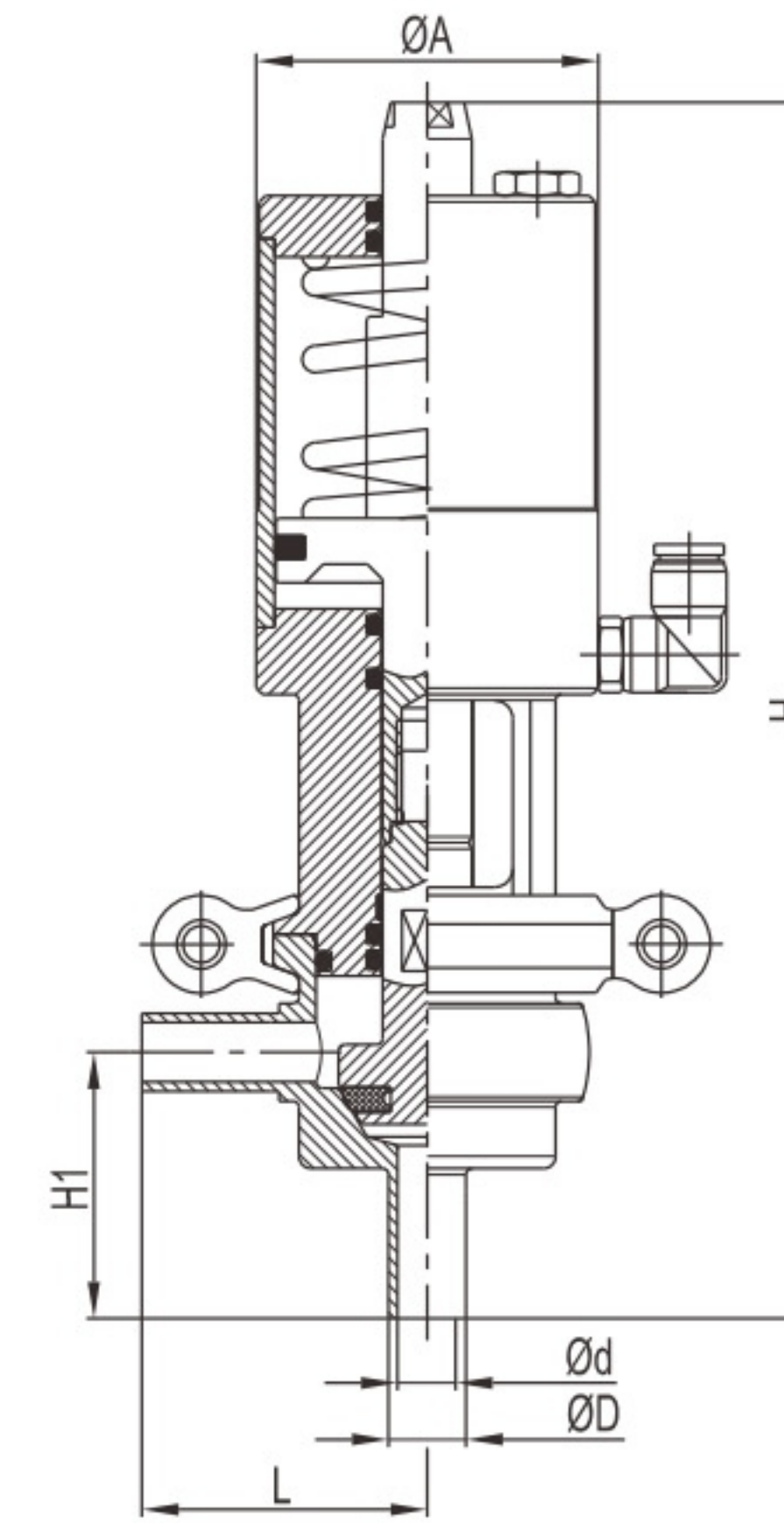
Mini pneumatic directional valve

Size	d	D	L	H1	H2	A	H
0.5"	9.5	12.7	46	43	35	56	234
0.75"	16.1	19.1	47	49	44	56	252

Size	d	D	L	H1	H2	A	H
DN10	9	12	46	43	35	56	234
DN15	15	18	47	49	44	56	252
DN20	19	22	47	49	44	56	252

气动截止阀

PNEUMATIC GLOBE VALVE



迷你型截止阀

Mini Globe Valve

Size	d	D	L	H1	A	H
0.5"	9.5	12.7	46	43	56	199
0.75"	16.1	19.1	47	49	56	207

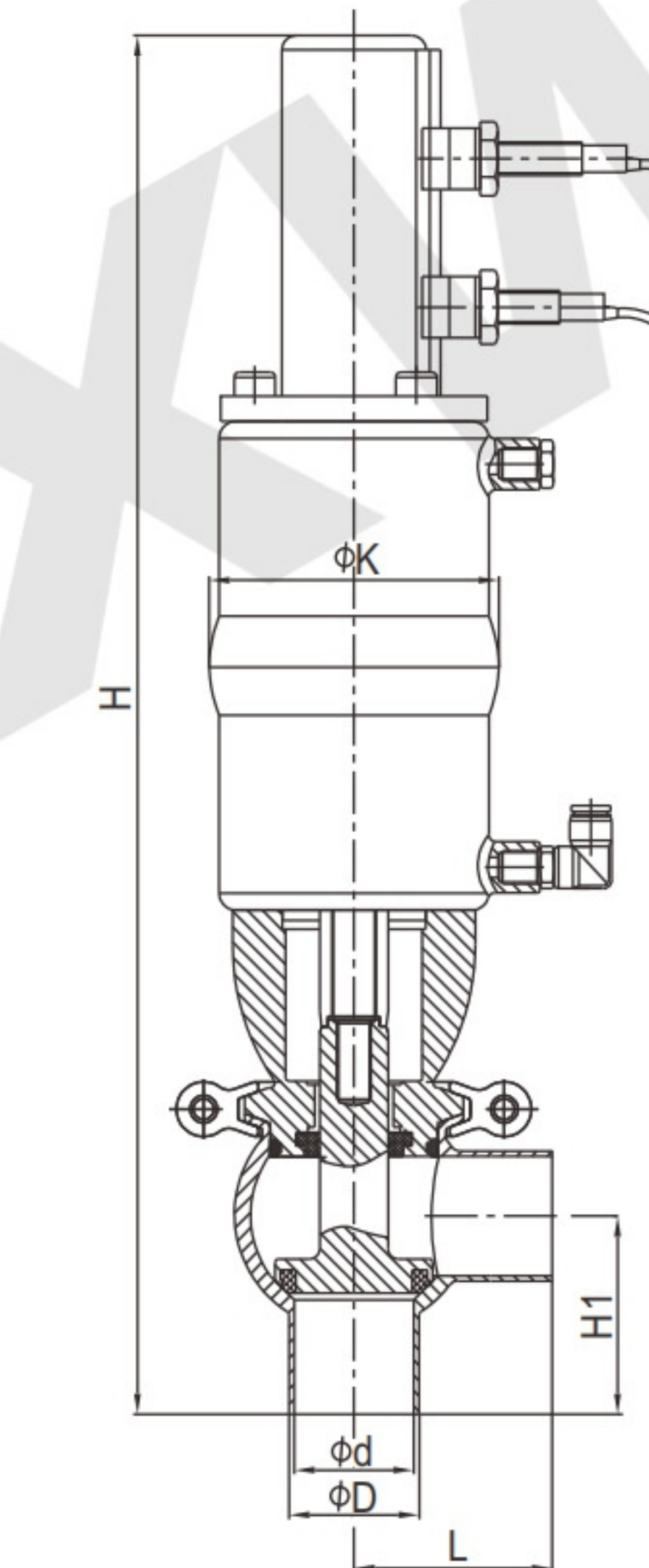
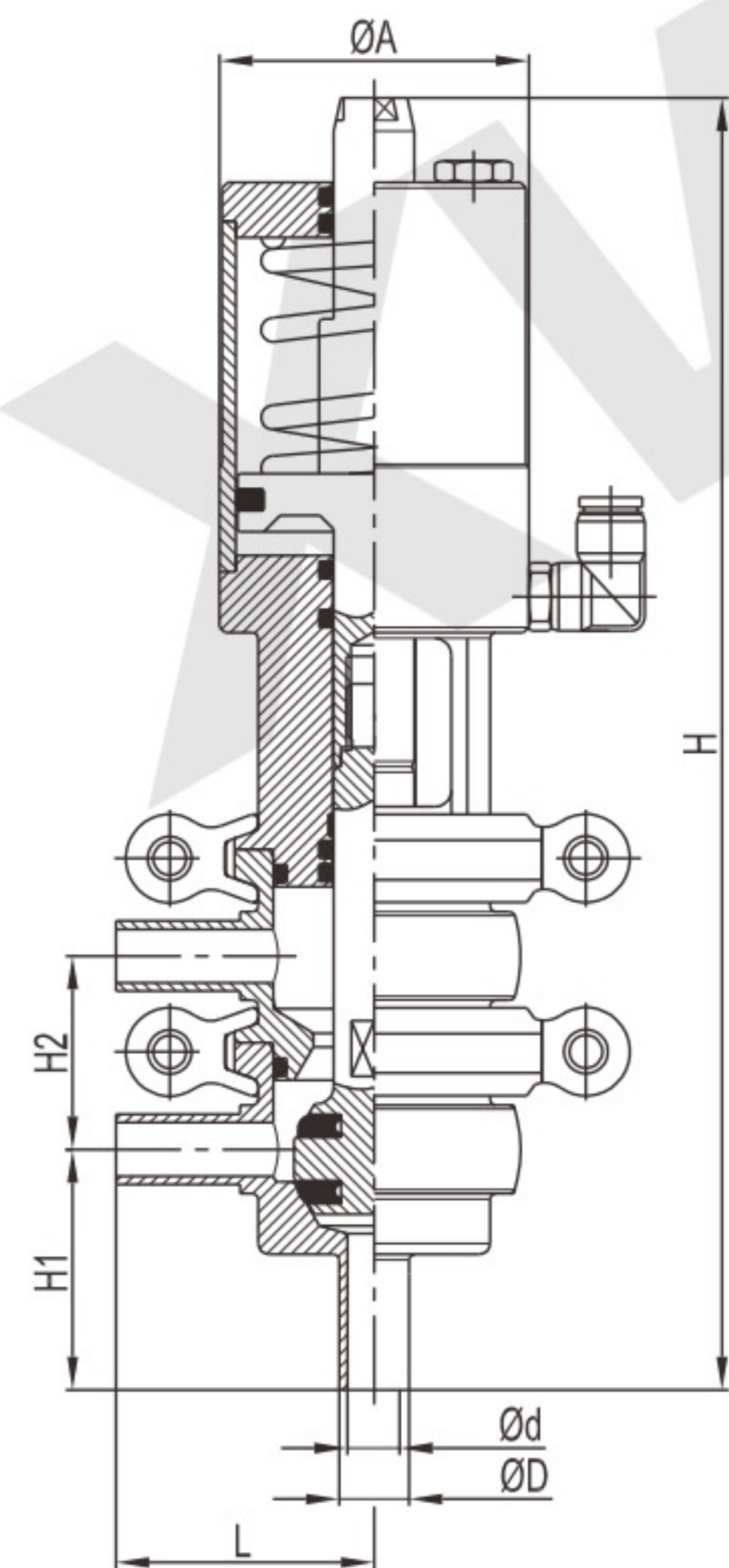
Size	d	D	L	H1	A	H
DN10	9	12	46	43	56	199
DN15	15	18	47	49	56	207
DN20	19	22	47	49	56	207

气动截止阀

Pneumatic Globe Valve

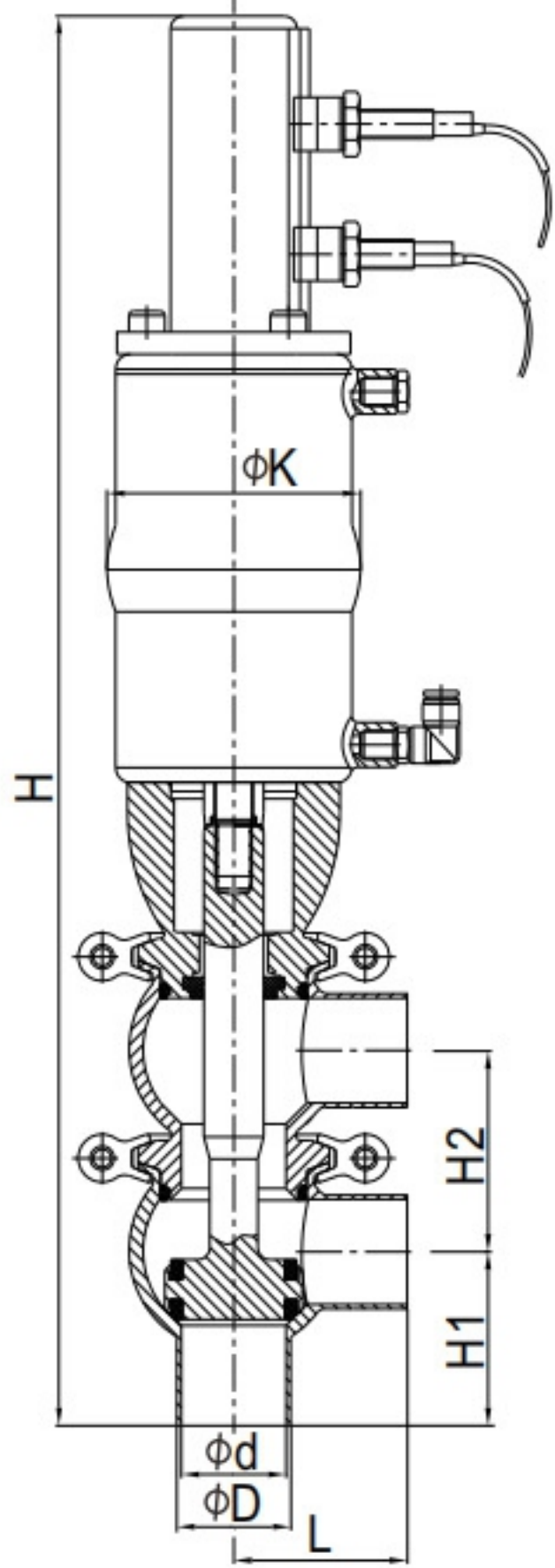
Size	d	D	L	H1	K	H
1"	22.4	25.4	61	61	85	398
1.25"	28.8	31.8	61	61	85	398
1.5"	35.1	38.1	58	58	85	396
2"	47.8	50.8	66	66	126	428
2.5"	59.5	63.5	77	77	126	446
3"	72.2	76.2	97	97	126	475
3.5"	84.9	88.9	107	107	140	492
4"	97.6	101.6	135	127	151	535

Size	d	D	L	H1	A	H
DN25	25	28	61	61	85	398
DN32	31	34	61	61	85	398
DN40	37	40	58	58	85	396
DN50	49	52	66	66	126	428
DN65	66	70	97	97	126	475
DN80	81	85	107	107	140	492
DN100	100	104	135	127	151	535



气动换向阀

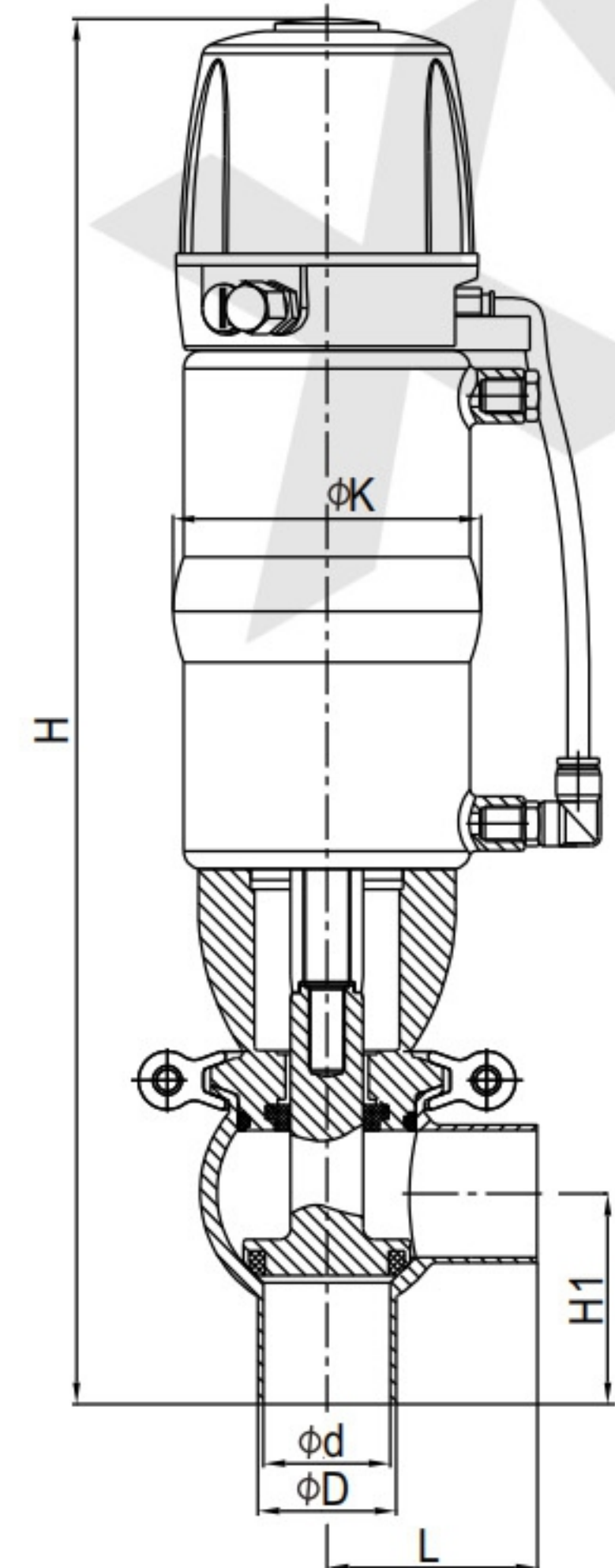
PNEUMATIC DIRECTIONAL VALVE



气动换向阀
Pneumatic Valve

Size	d	D	L	H1	H2	K	H
1"	22.4	25.4	61	61	66	85	465
1.25"	28.8	31.8	61	61	66	85	465
1.5"	35.1	38.1	58	58	67	85	463
2"	47.8	50.8	66	66	76	126	504
2.5"	59.5	63.5	77	77	88	126	534
3"	72.2	76.2	97	97	106	126	581
3.5"	84.9	88.9	107	107	120	140	612
4"	97.6	101.6	135	127	135	151	670

Size	d	D	L	H1	H2	A		H
						1	2	
DN25	25	28	61	61	66	85	465	
DN32	31	34	61	61	66	85	465	
DN40	37	40	58	58	67	85	463	
DN50	49	52	66	66	76	126	504	
DN65	66	70	97	97	106	126	581	
DN80	81	85	107	107	120	140	612	
DN100	100	104	135	127	135	151	670	



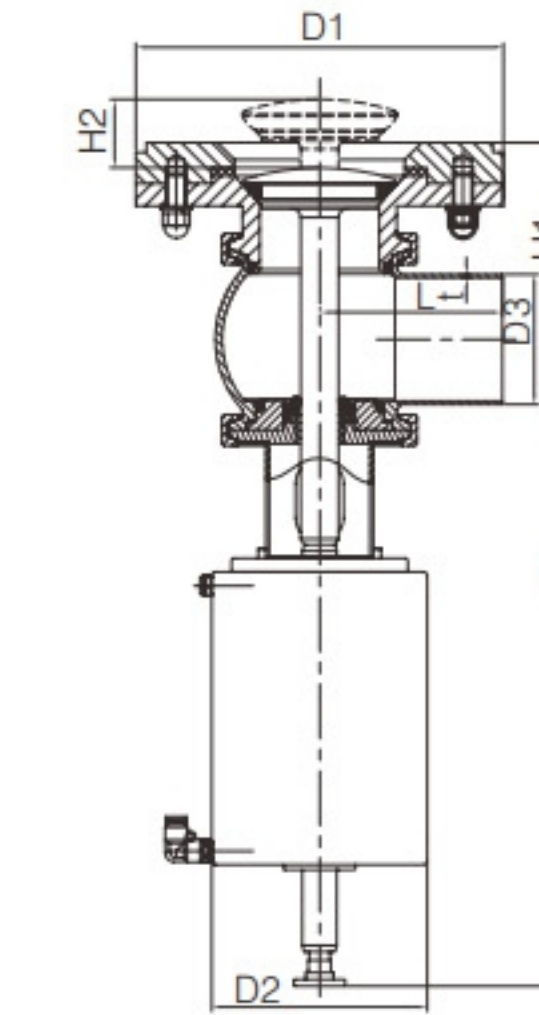
智能型气动截止阀
Intelligent Pneumatic Shut - Off Valve

Size	d	D	L	H1	K	H
1"	22.4	25.4	61	61	85	429
1.25"	28.8	31.8	61	61	85	429
1.5"	35.1	38.1	58	58	85	427
2"	47.8	50.8	66	66	126	459
2.5"	59.5	63.5	77	77	126	477
3"	72.2	76.2	97	97	126	506
3.5"	84.9	88.9	107	107	140	523
4"	97.6	101.6	135	127	151	566

Size	d	D	L	H1	A	H
DN25	25	28	61	61	85	429
DN32	31	34	61	61	85	429
DN40	37	40	58	58	85	427
DN50	49	52	66	66	126	459
DN65	66	70	97	97	126	506
DN80	81	85	107	107	140	523
DN100	100	104	135	127	151	566

罐底座阀

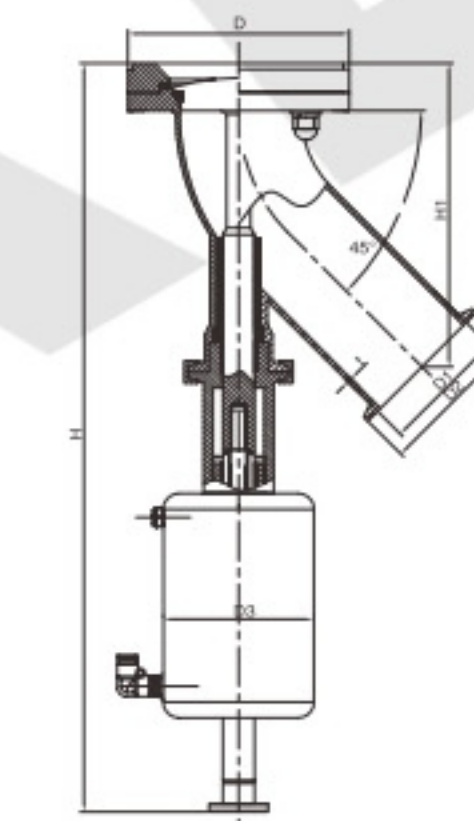
TANK BOTTOM SEAT VALVE



罐底阀法兰连接(DIN)
Flang Tank Bottom Seat Valve(DIN)

SIZE	D1	D2	D3		H	H1	H2	L	t
			1	2					
DN40	120	85	40	41	395	85	30	60	1.5
DN50	130	126	52	53	440	95	46	70	1.5
DN65	165	126	70	-	450	105	50	80	2.0
DN80	180	126	85	-	520	120	52	90	2.0
DN100	215	168	104	-	600	140	62	125	2.0

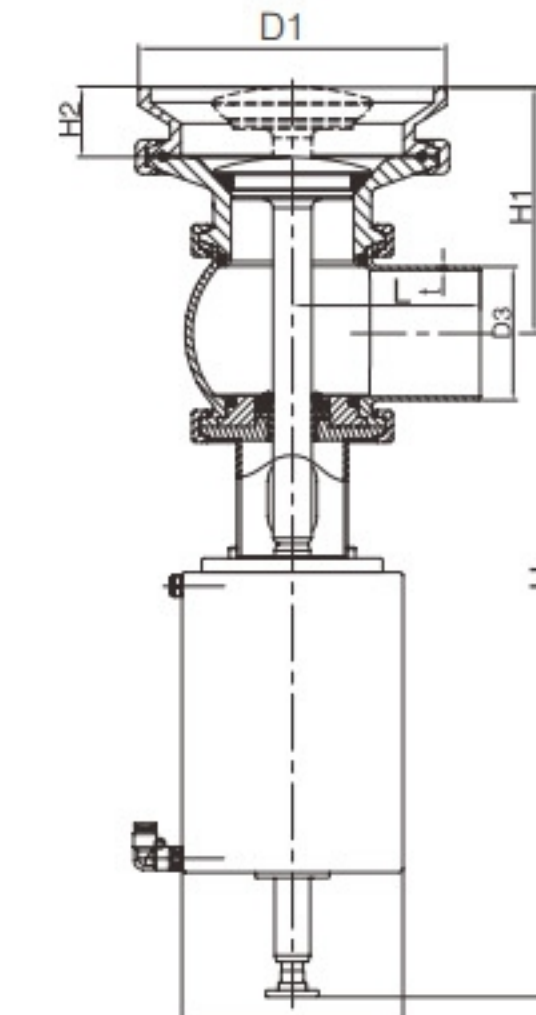
SIZE	D1	D2	D3	H	H1	H2	L
1 _{1/2} "	120	85	38.1	395	85	30	60
2"	130	126	50.8	440	95	46	70
2 _{1/2} "	165	126	63.5	450	105	50	80
3"	180	126	76.2	520	120	52	90
3 _{1/2} "	180	126	89	520	120	52	90
4"	215	168	101.6	600	140	62	125



45角度弯头罐底阀
45 Degree Elbow Tank Bottom Seat Valve

SIZE	D	D1	D2	D3	H	H1	t
DN50	112	52	64	76	338	112.5	1.5
DN65	112	70	77.5	76	365	153.5	2.0

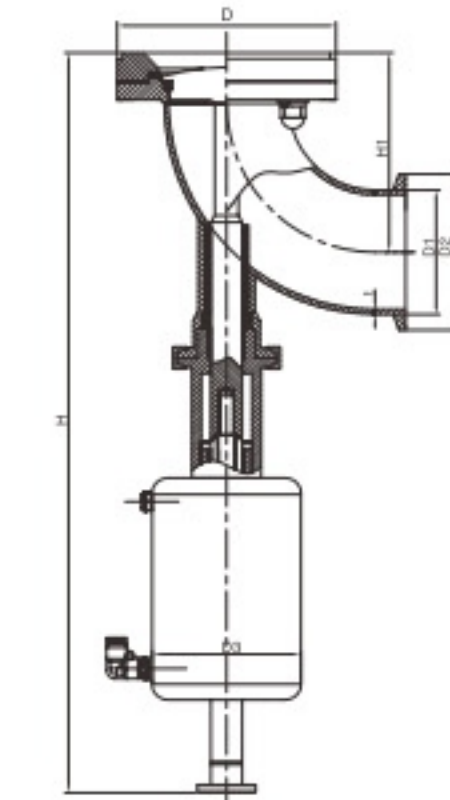
SIZE	D	D1	D2	D3	H	H1
2"	112	50.8	64	76	338	112.5
2 _{1/2} "	112	63.5	77.5	76	365	153.5



罐底阀卡箍连接(DIN)
Clamped Tank Bottom Seat Valve(DIN)

SIZE	D1	D2	D3		H	H1	H2	L	t
			1	2					
DN40	70	85	40	41	395	95	30	60	1.5
DN50	89	126	52	53	440	105	46	70	1.5
DN65	108	126	70	-	450	115	50	80	2.0
DN80	127	126	85	-	520	130	52	90	2.0
DN100	154	168	104	-	600	150	62	125	2.0

SIZE	D1	D2	D3	H	H1	H2	L
1 _{1/2} "	70	85	38.1	405	95	30	60
2"	89	126	50.8	450	105	46	70
2 _{1/2} "	108	126	63.5	460	115	50	80
3"	127	126	76.2	530	130	52	90
3 _{1/2} "	127	126	89	530	130	52	90
4"	154	168	101.6	610	150	62	125



90角度弯头罐底阀
90 Degree Elbow Tank Bottom Seat Valve

SIZE	D	D1	D2	D3	H	H1	t
DN50	112	52	64	76	338	87	1.5
DN65	112	70	77.5	76	365	121	2.0

SIZE	D	D1	D2	D3	H	H1
2"	112	50.8	64	76	338	87
2 _{1/2} "	112	63.5	77.5	76	365	121